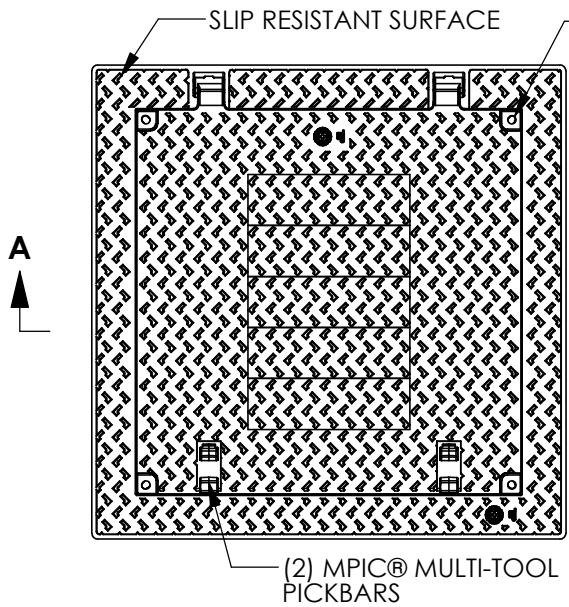


8196 Assembly



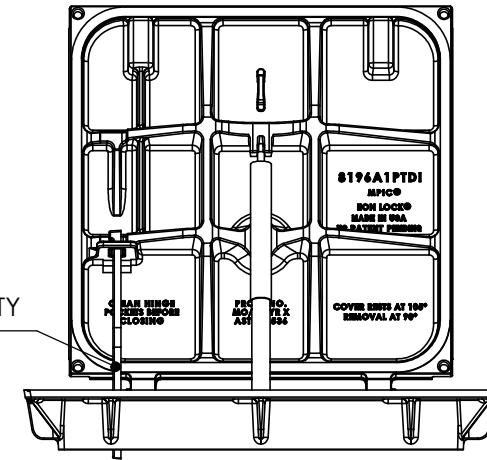
A
↑

A
↑

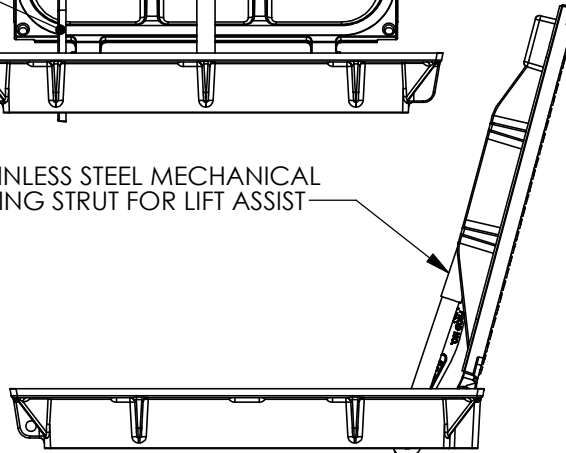
(4) 1/2-13 x 2 1/4" HEX BOLTS WITH SS WASHERS

(2) MPIC® MULTI-TOOL PICKBARS

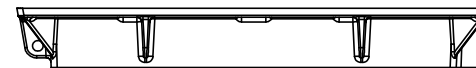
SAFETY BAR



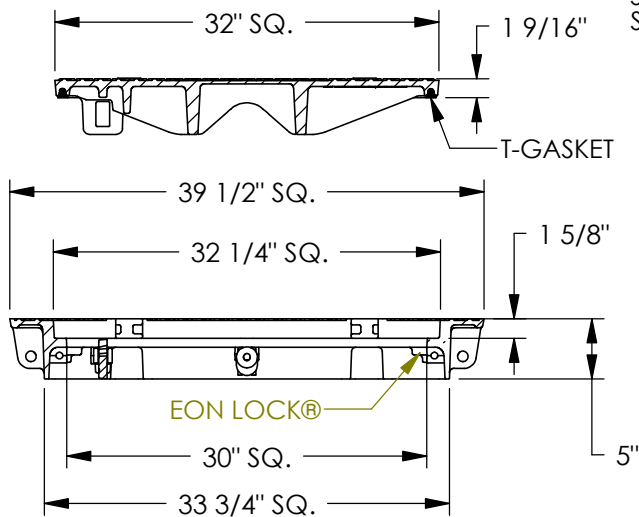
STAINLESS STEEL MECHANICAL SPRING STRUT FOR LIFT ASSIST



COVER IN 105° RESTING POSITION



REMOVE COVER AT 90° (AFTER REMOVING SAFETY BAR AND MECHANICAL STRUT)



SECTION A-A

Product Number

00819681B01

Design Features

- Materials
 - Hatch Frame Ductile Iron (70-50-05)
 - Hatch Cover Ductile Iron (80-55-06)
- Design Load Airport Extra Heavy Duty (Proof Load Tested to 200,000lbs.)
- Open Area n/a
- Coating Undipped
- √ Designates Machined Surface
- Slip Resistant Surface with the LLLL® registered trademark

Certification

- ASTM A536
-
- Country of Origin: USA

Major Components

00819611
00819681

Drawing Revision

6/30/2009 Designer: JIJ
2/9/2012 Revised By: SDC

Disclaimer

Weights (lbs/kg), dimensions (inches/mm) and drawings provided for your guidance. We reserve the right to modify specifications without prior notice.

CONFIDENTIAL: This drawing is the property of EJ Group, Inc. and embodies confidential information, registered marks, patents, trade secret information, and/or know-how that is the property of EJ Group, Inc. Copyright © 2011 EJ Group, Inc. All rights reserved.

Contact

800.626.4653
ejco.com