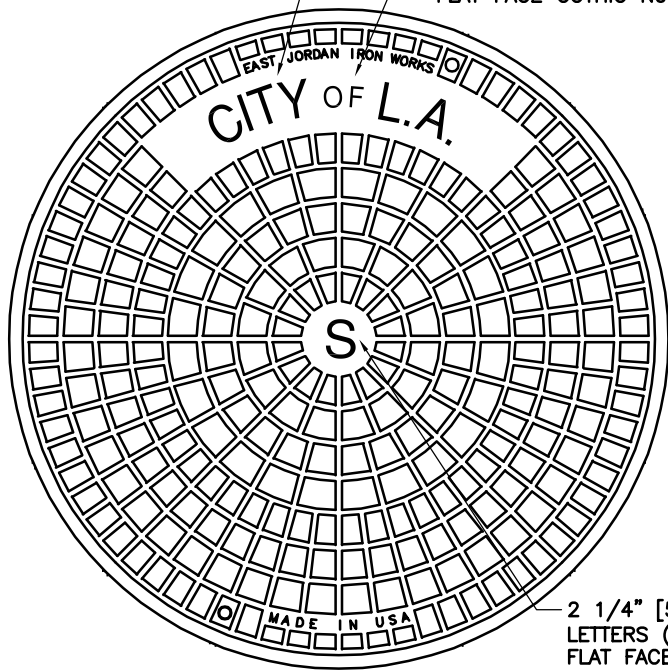
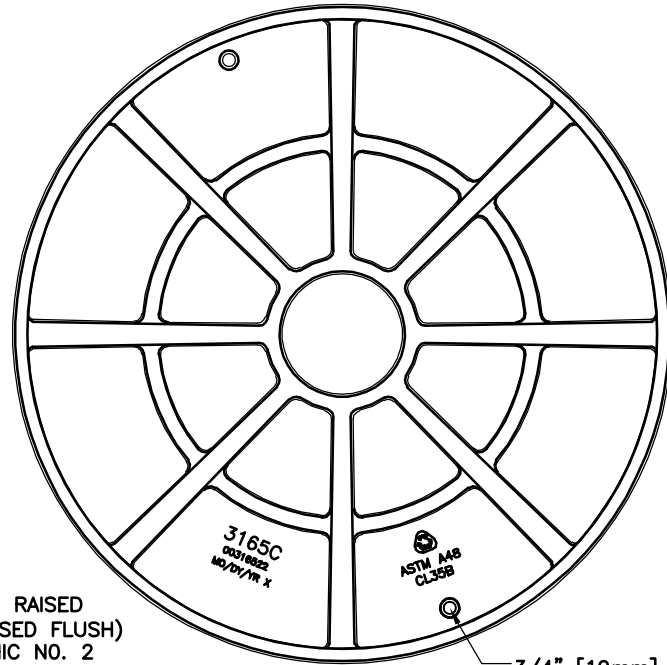


2 1/4" [57mm] RAISED
LETTERS (RECESSED FLUSH)
FLAT FACE GOTHIC NO. 2

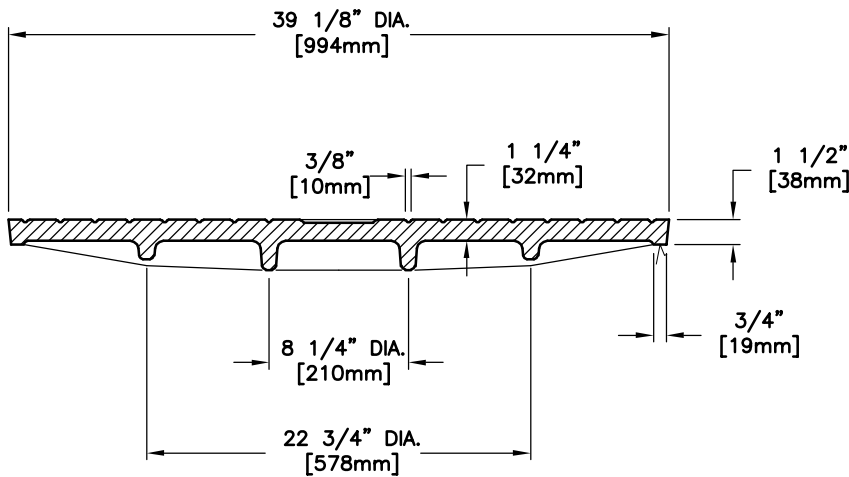
1 3/8" [35mm] RAISED LETTERS
(RECESSED FLUSH)
FLAT FACE GOTHIC NO. 2



2 1/4" [57mm] RAISED
LETTERS (RECESSED FLUSH)
FLAT FACE GOTHIC NO. 2



3/4" [19mm] DIA
HANDLING HOLE



√ MACHINED SURFACE

Reference:
City of Los Angeles Standard Plan
Drawing S-286-1
Manhole Frame and Cover 36 Inch

EAST JORDAN
IRON WORKS, INC.
P.O. BOX 439
EAST JORDAN, MI. 49727
1-800-874-4100
FAX 231-536-4458

DRAWN DEW	DATE 12/17/02
APPROVED	DATE

MANHOLE COVER (LBIW X165)	
PRODUCT NO. 00316522	
CATALOG NO. 3165C	
REF. PRODUCT DRAWING 00316520	
EST. WT. COVER: 440 LBS 200kg	
OPEN AREA N/A	
MAT'L SPEC. COVER - GRAY IRON ASTM A48 CL35	
LOAD RATING HEAVY DUTY	