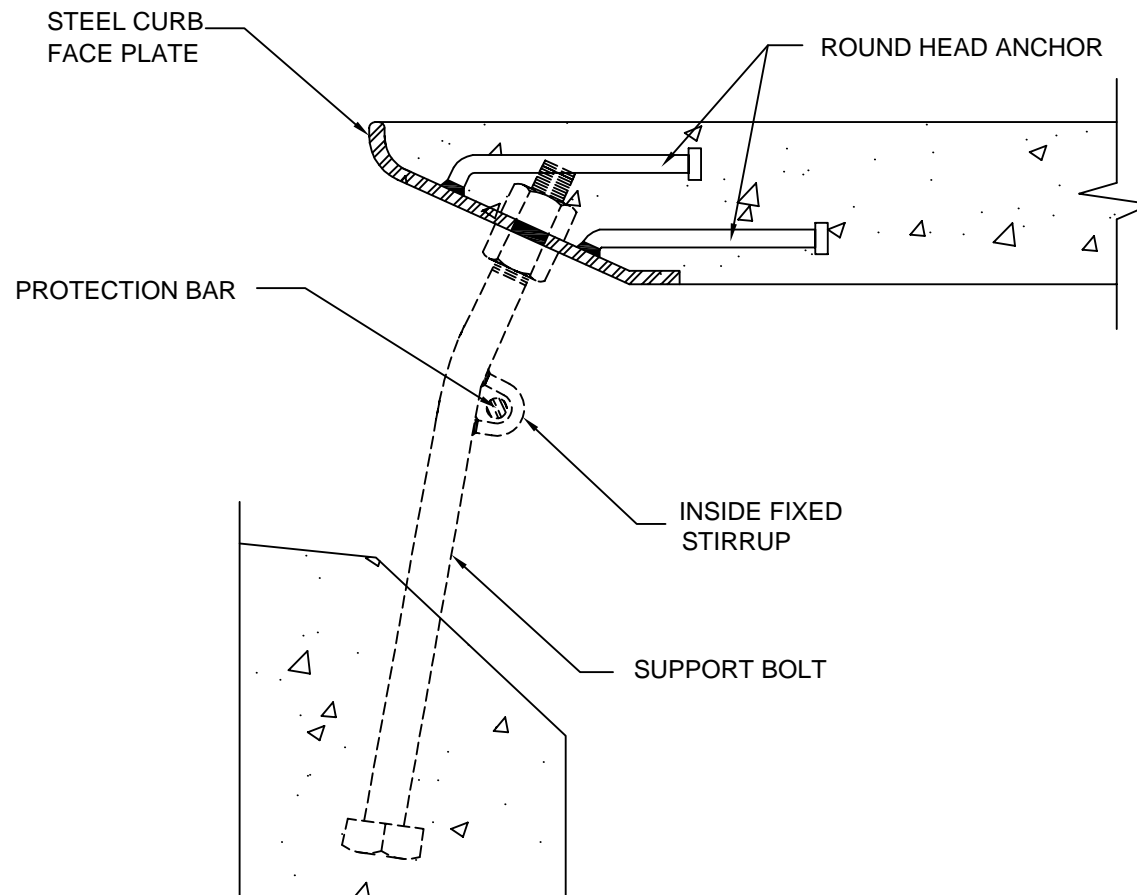




LBIW Inc.

2020 WEST 14TH STREET
 LONG BEACH, CA. 90813
 Tel No. : (562) 432.5451
 Fax No. : (562) 432.5929
 www.lbiw.com



NOTE : FOR 4 1/2" AND 6" CONCRETE DECKS

PRODUCT NUMBER

LB 412
STEEL CURB
FACE PLATE
 WITH INSIDE
 FIXED STIRRUP

LOAD RATING

COATING

GALVANIZED FINISH

EST. WEIGHT

SPECIFICATION

CITY OF IRVINE
 CITY OF RIVERSIDE
 COUNTY OF RIVERSIDE

OPEN AREA

DESIGNATES MACHINED

DRAWN

EB

DATE

03-27-09

REVISED

DATE

REFERENCE INFORMATION

SECTION 07