



**LBIW Inc.**

2020 WEST 14TH STREET  
 LONG BEACH, CA. 90813  
 Tel No. : (562) 432.5451  
 Fax No. : (562) 432.5929  
 www.lbiw.com

**PRODUCT NUMBER**  
**36R GRATE**

**LOAD RATING**

**COATING**  
 MILL FINISH OR  
 GALVANIZED

**EST. WEIGHT**

WEIGHTS MAY VARY  
 MINUS 5%, PLUS 10%

**SPECIFICATION**  
 D75A, D75B

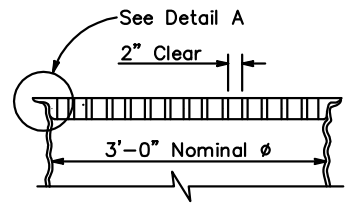
**OPEN AREA**

**DESIGNATES MACHINED**

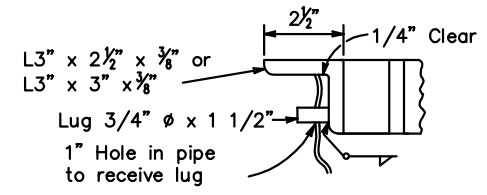
<b>DRAWN</b> EB	<b>DATE</b> 03-09-09
--------------------	-------------------------

**REFERENCE INFORMATION**

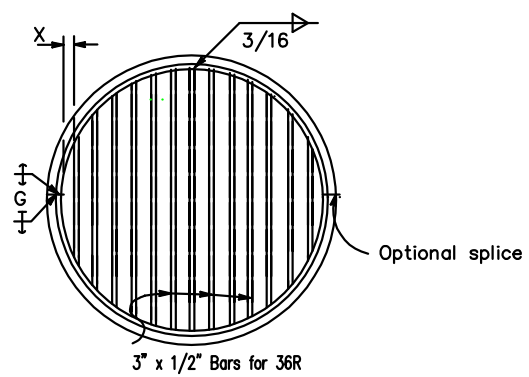
SECTION 08



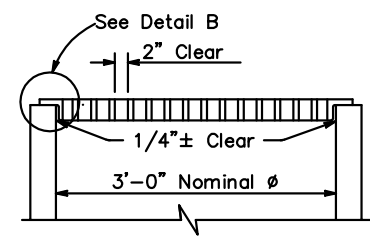
SECTION



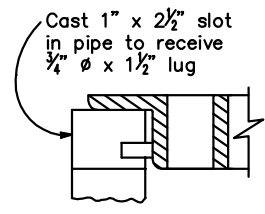
DETAIL A



PLAN



SECTION



DETAIL B

GRATE BAR SPACING TABLE

TYPE	No. OF BARS	CLEAR BAR SPACING	X
36R	13	2"	2 1/8"

36R GRATE DETAILS