

EAST JORDAN
IRON WORKS, INC.
P.O. BOX 439
EAST JORDAN, MI. 49727
1-800-874-4100
FAX 231-536-4458

DRAWN DEW	DATE 11/12/03
APPROVED	DATE

**MANHOLE
COVER**
(LBIW X118)

PRODUCT NO.
00311826

CATALOG NO.
3118C

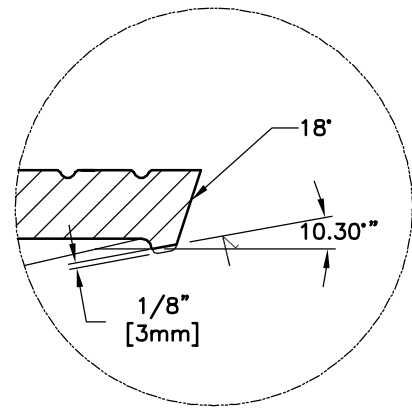
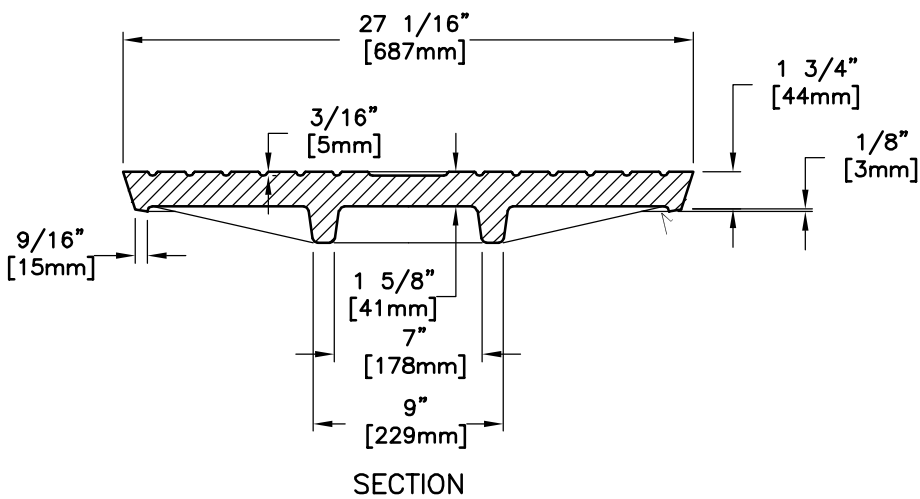
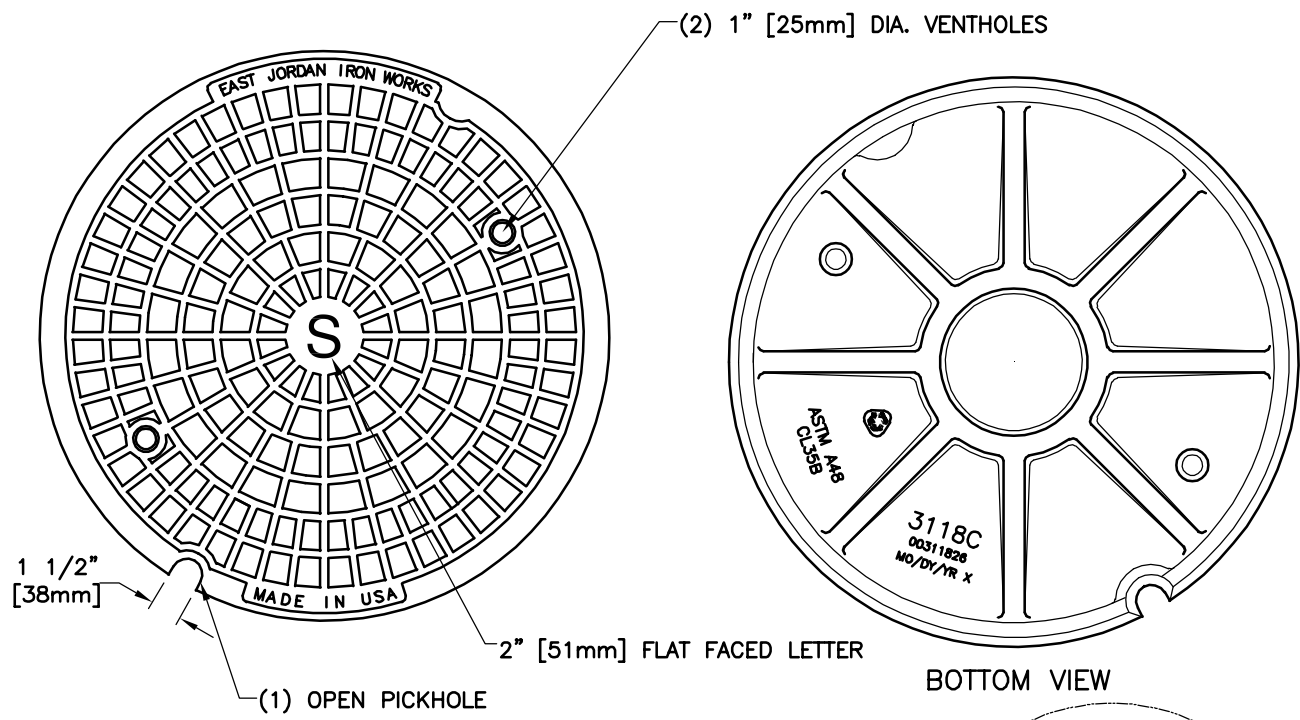
REF. PRODUCT DRAWING
311820

EST. WT.
COVER: 260 LBS 118kg

OPEN AREA
N/A

MAT'L SPEC.
COVER - GRAY IRON
ASTM A48 CL35

LOAD RATING
HEAVY DUTY



√ MACHINED SURFACE