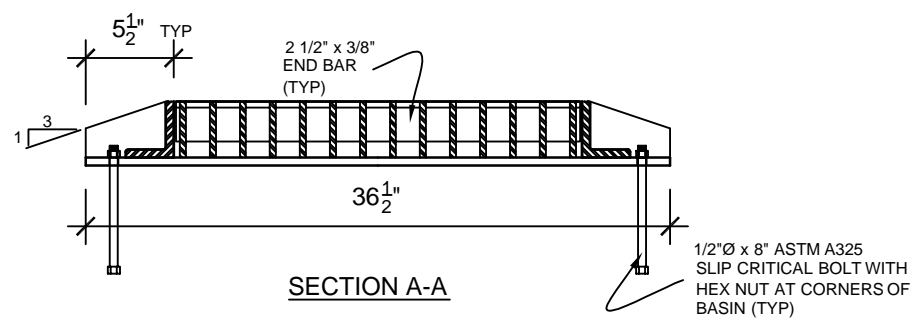


PLAN



SECTION A-A

SECTION B-B

LBIW Inc.
 2020 WEST 14TH STREET
 LONG BEACH, CA. 90813
 Tel No. : (562) 432.5451
 Fax No. : (562) 432.5929
 www.lbiw.com

PRODUCT NUMBER

LB S-342

LOAD RATING
 BICYCLE FRIENDLY
 TRAFFIC RATED

COATING

GALVANIZED

EST. WEIGHT

FRAME	135 IBS
GRATE	225 IBS
TOTAL WT.	360 IBS

SPECIFICATION

COLA DEPARTMENT OF
 PUBLIC WORKS S-342-4

OPEN AREA

DESIGNATES MACHINED

DRAWN	DATE
EB	02-06-09
REVISED	DATE
04-21-09	

REFERENCE INFORMATION

SHEET 1 OF 2

SECTION 07