

EAST JORDAN
IRON WORKS, INC.
P.O. BOX 439
EAST JORDAN, MI. 49727
1-800-874-4100
FAX 231-536-4458

DRAWN KH	DATE 12/21/04
APPROVED	DATE

MANHOLE COVER
(LBIW X1502 / X163)

PRODUCT NO.
00316328

CATALOG NO.
3163C

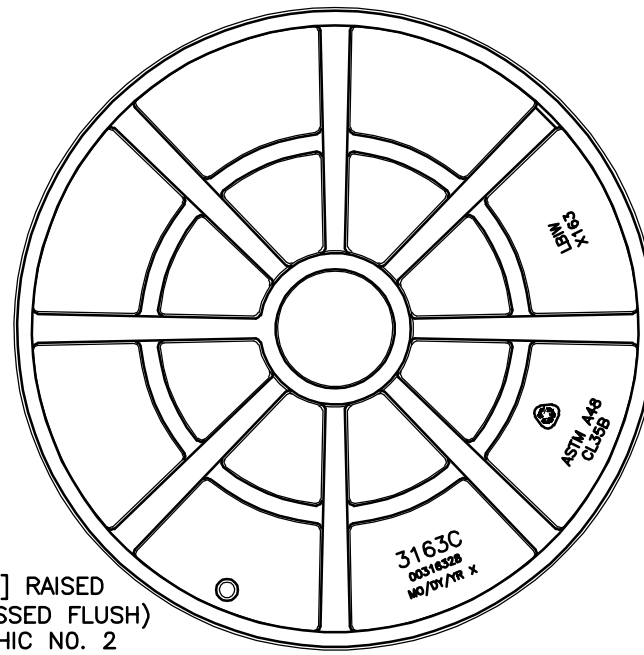
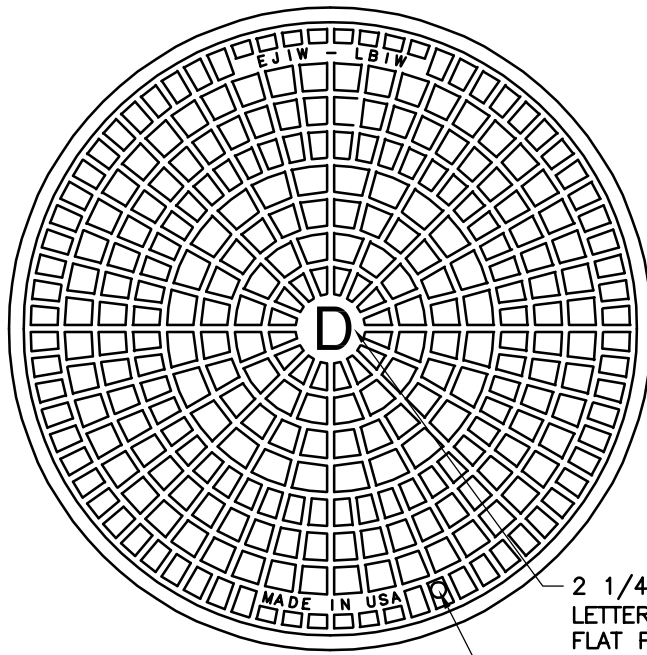
REF. PRODUCT DRAWING
00316320

EST. WT.
COVER: 320 LBS 145kg

OPEN AREA
N/A

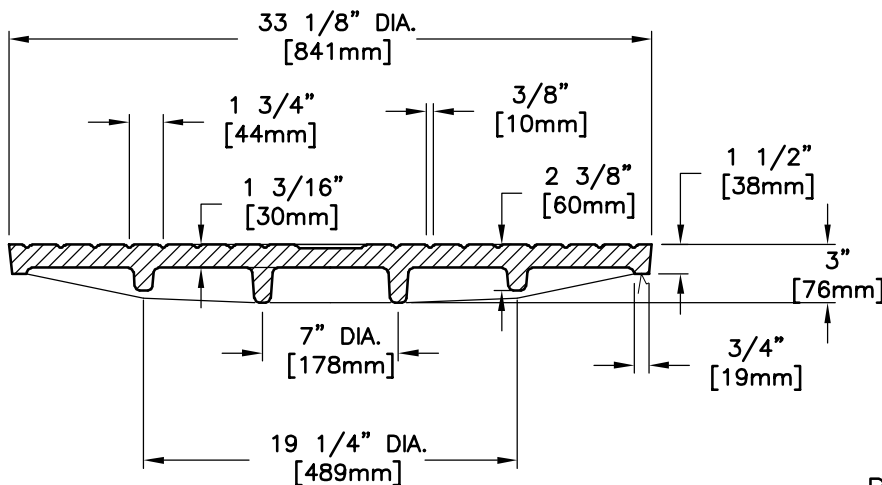
MAT'L SPEC.
COVER - GRAY IRON
ASTM A48 CL35

LOAD RATING
HEAVY DUTY



2 1/4" [57mm] RAISED LETTERS (RECESSED FLUSH) FLAT FACE GOTHIC NO. 2

13/16" [21mm] DIA HANDLING HOLE



Reference:
American Public Works Association
APWA Std 630-2
Manhole Frame and Cover 30 Inch

✓ MACHINED SURFACE