



Tel no. : (562) 528-0258
www.ejco.com



LBIW Inc.
2020 WEST 14TH STREET
LONG BEACH, CA. 90813
Tel No. : (562) 432.5451
Fax No. : (562) 435.5929
www.lbiw.com

A-1530 LB1530 X110F EJ 3110Z2 3110C1 ASSEMBLY

STANDARD PLAN REFERENCE
SPPWC (APWA) 312-5
CATCH BASIN
24" MANHOLE COVER AND FRAME

PRODUCT NUMBER
LB 1530/X110
EJ 00311057B01

ESTIMATED WEIGHTS
COVER: 88 LBS
FRAME: 31 LBS
TOTAL UNIT: 119 LBS
Weights may vary
Minus 5%, Plus 10%

MATERIALS SPECIFICATIONS
COVER: GRAY IRON
ASTM A48 CL35B
FRAME: GRAY IRON
ASTM A48 CL35B

CAST GRAY IRON CONFORMING TO SECTION
206-3 OF THE STANDARD SPECIFICATIONS
FOR PUBLIC WORKS CONSTRUCTION

COATING OPTIONS
PAINTED BLACK
HOT DIPPED GALVANIZED

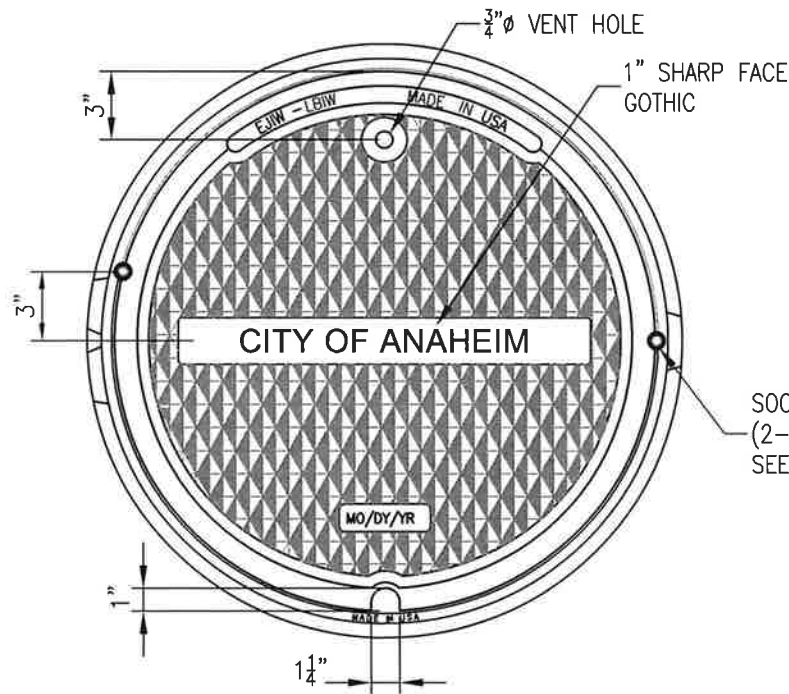
DESIGN LOAD RATING
LIGHT DUTY (NON-TRAFFIC) LOADING ONLY

✓ DESIGNATES MACHINED
SURFACE

Drawn:
GRA

Date:
08-25-24

COMPONENT INFORMATION
00311012 COVER
00311057 FRAME



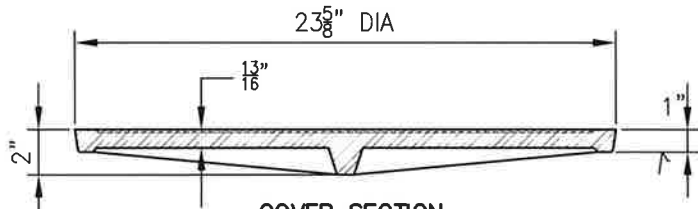
PLAN VIEW

SOCKET SET SCREW
(2-LOCATIONS)
SEE LOCKING DEVICE

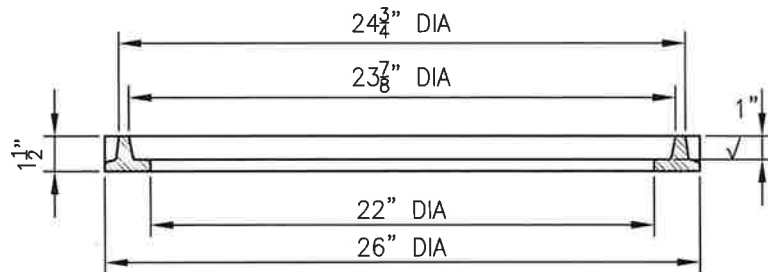
DRILL AND TAP FRAME AND COVER
AND INSTALL 3/4-10 x 1 1/4" SS ALLEN SET
SCREW WITH 3/8" RECESSED HEX HOLE
ALL THREAD TO BE NC



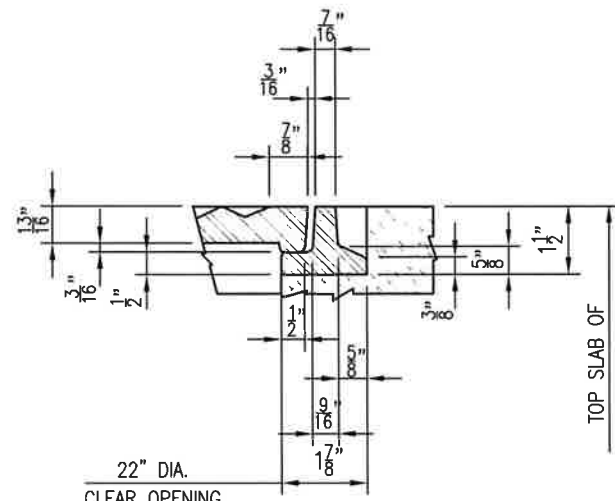
LOCKING DEVICE



COVER SECTION



FRAME SECTION



SEATING DETAIL

DIMENSIONAL TOLERANCES SHALL BE $\pm 1/8"$
CASTING SHALL EXCEED PROOFLOAD OF 28,600 LBS

CONFIDENTIAL: This drawing is the property of EJ Group, Inc. and embodies confidential information, trade secret information, and/or know how that is the property of EJ Group, Inc. © Copyright 2012 East Jordan Iron Works, Inc.