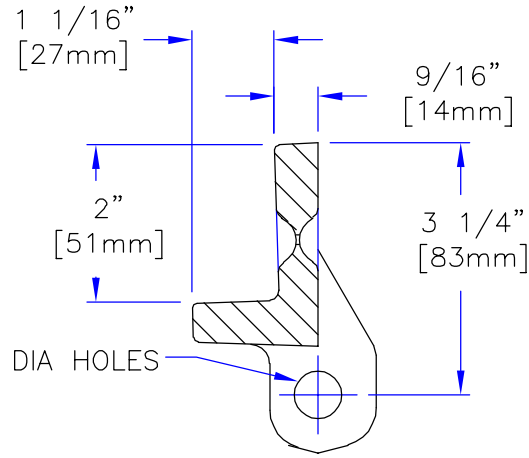
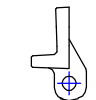
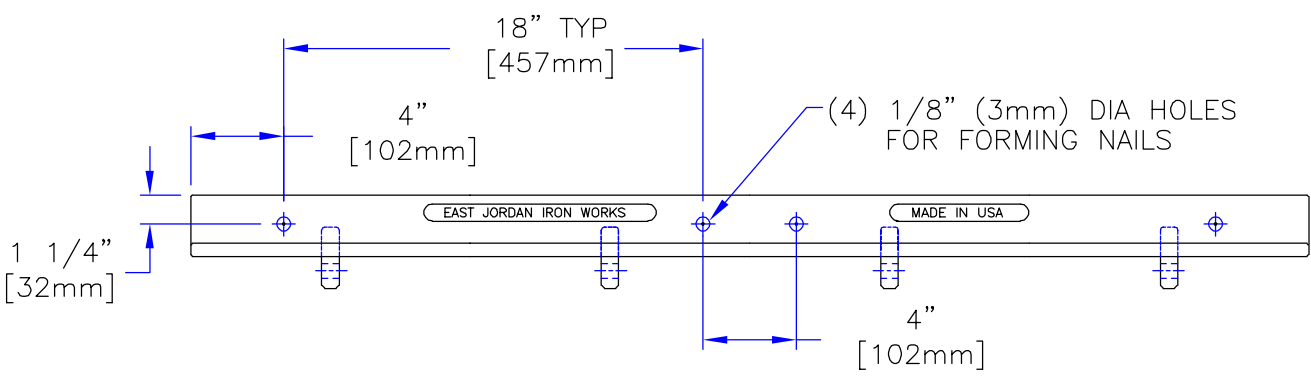


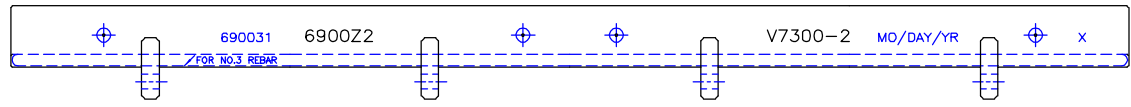
SIDE VIEW



(4) 5/8" (16mm) DIA HOLES FOR #3 REBAR



SIDE VIEW



SIDE VIEW

EAST JORDAN IRON WORKS, INC. P.O. BOX 439 EAST JORDAN, MI. 49727 1-800-874-4100 FAX 231-536-4458	
DRAWN SBB	DATE 04/14/03
APPROVED	DATE
<h3>48" TRENCH FRAME</h3>	
PRODUCT NO. 00690031	
CATALOG NO. 6900Z2 UNDIPPED	
REF. PRODUCT DRAWING 690030	
EST. WT. FRAME: 26 LBS 12kg	
OPEN AREA N/A	
MAT'L SPEC. FRAME - GRAY IRON ASTM A48 CL35	
LOAD RATING HEAVY DUTY	