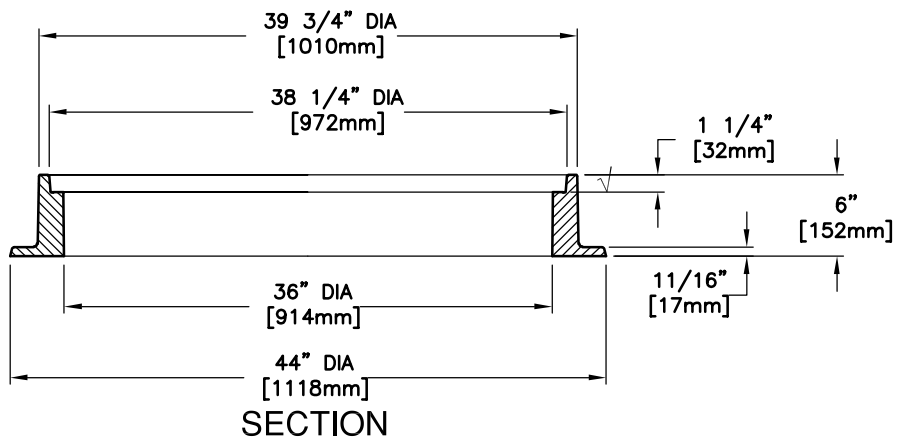
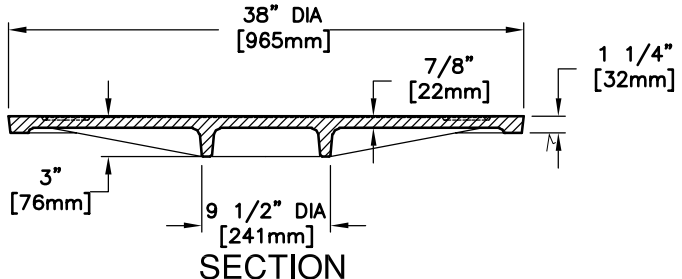


COVER BACK



√ MACHINED SURFACE

EAST JORDAN  
IRON WORKS, INC.  
P.O. BOX 439  
EAST JORDAN, MI. 49727  
1-800-874-4100  
FAX 231-536-4458

DRAWN JIJ	DATE 12/03/03
APPROVED	DATE

**MANHOLE ASSEMBLY**  
LBIW X106

PRODUCT NO.  
**00310602**

CATALOG NO.  
3106C  
3106Z

REF. PRODUCT NUMBERS  
00310621  
00310610

EST. WT.  
COVER: 300 LBS 136kg  
FRAME: 358 LBS 162kg  
UNIT: 658 LBS 298kg

OPEN AREA  
N/A

MAT'L SPEC.  
COVER - GRAY IRON  
ASTM A48 CL35B  
FRAME - GRAY IRON  
ASTM A48 CL35B

LOAD RATING  
HEAVY DUTY