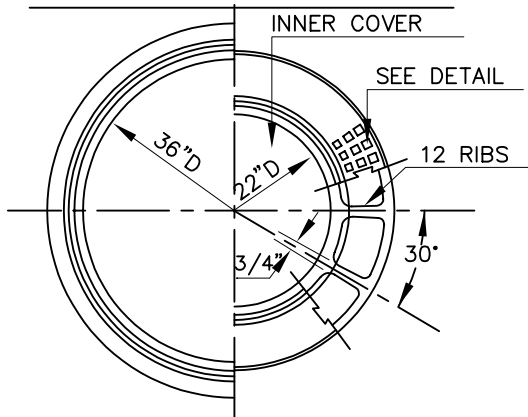
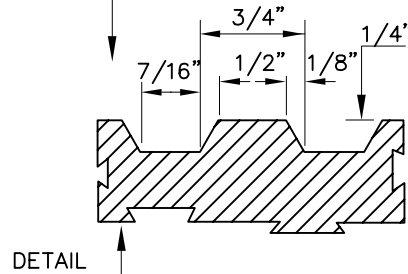
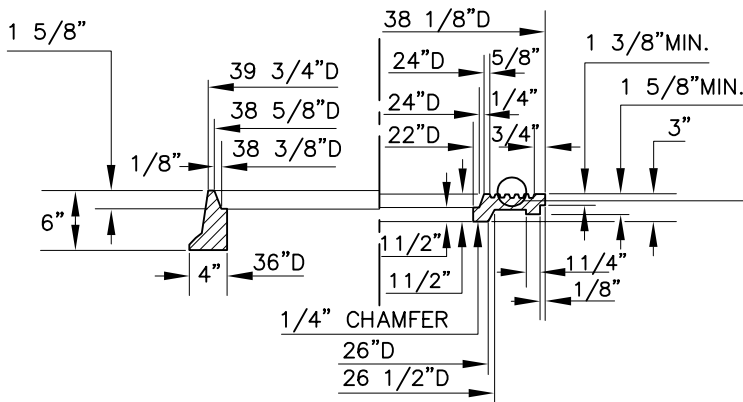
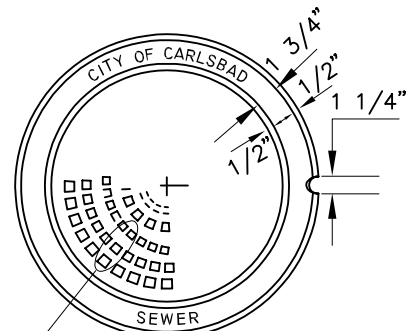


HALF PLAN FRAME & COVER

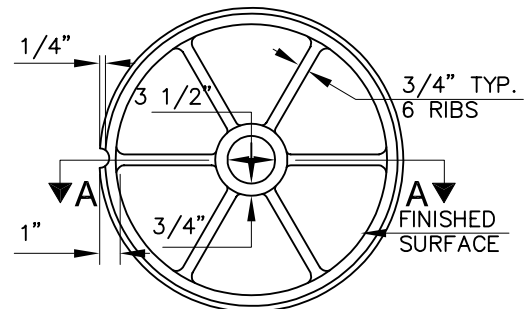


INNER COVER TOP SIDE



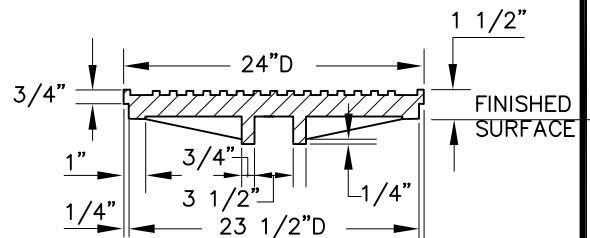
HALF SECTION FRAME & COVER

BOTTOM SIDE



NOTES:

1. WEIGHTS:
 INNER COVER = 155 LBS.
 OUTER COVER = 300 LBS.
 FRAME = 330 LBS.
2. MATERIAL: CAST IRON.
3. MACHINE SEATS TO PREVENT NOISE.
4. FILLET RADII TO BE 12".
5. IMPORTED COVERS AND FRAMES SHALL HAVE COUNTRY OF ORIGIN MARKING IN COMPLIANCE WITH FEDERAL REGULATIONS.



SECTION A-A

REV.	APPROVED	DATE	CITY OF CARLSBAD	
			ACCESSHOLE	6-04
			FRAME & COVER	CITY ENGINEER DATE
				SUPPLEMENTAL STANDARD NO. S-4