

EAST JORDAN  
 IRON WORKS, INC.  
 P.O. BOX 439  
 EAST JORDAN, MI. 49727  
 1-800-874-4100  
 FAX 231-536-4458

DRAWN TCL	DATE 08/24/05
APPROVED	DATE

**MANHOLE  
 COVER  
 (LBIW X163)**

PRODUCT NO.  
**00316340**

CATALOG NO.  
 3163C

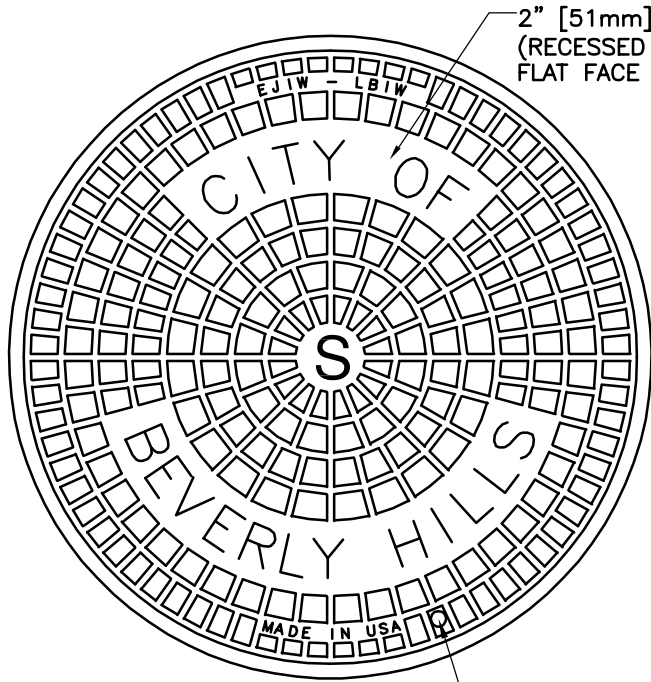
REF. PRODUCT DRAWING  
 00316320

EST. WT.  
 COVER: 320 LBS 145kg

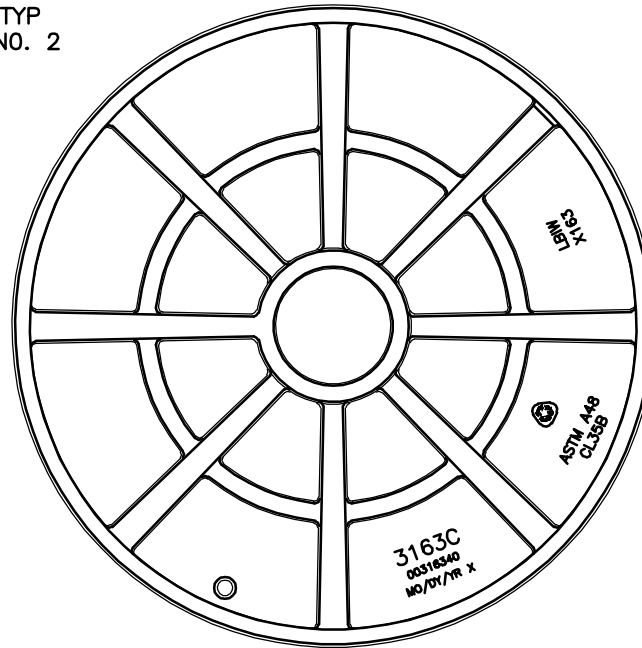
OPEN AREA  
 N/A

MAT'L SPEC.  
 COVER - GRAY IRON  
 ASTM A48 CL35B

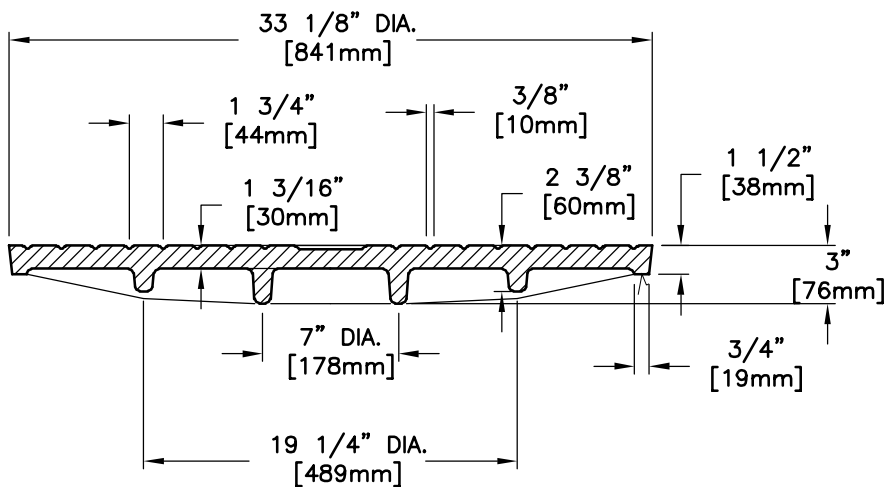
LOAD RATING  
 HEAVY DUTY



2" [51mm] RAISED LETTERS  
 (RECESSED FLUSH) TYP  
 FLAT FACE GOTHIC NO. 2



13/16" [21mm] DIA  
 HANDLING HOLE



✓ MACHINED SURFACE