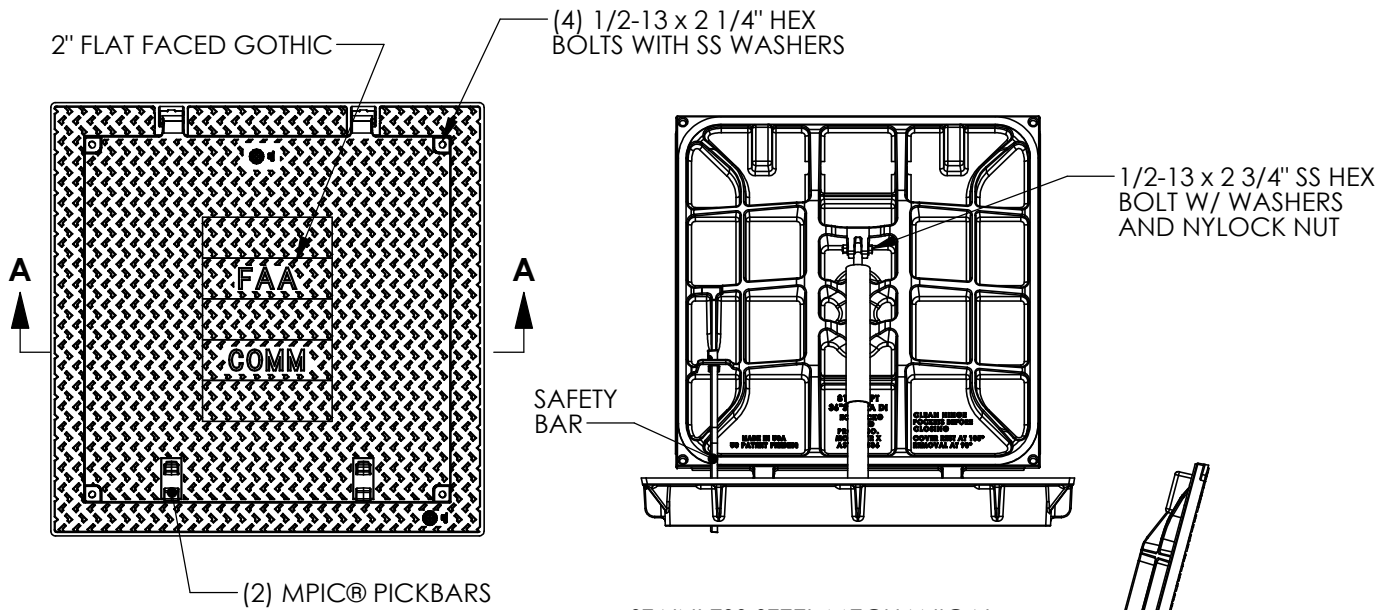


8197 Assembly



Product Number
00819777B01
Design Features

- Materials
 - Hatch Frame
 - Ductile Iron (70-50-05)
 - Cover
 - Ductile Iron (80-55-06)

- Design Load
 - Airport Extra Heavy Duty (Proof Load Tested to 200,000lbs.)

- Open Area
 - n/a
- Coating
 - Dipped

- √ Designates Machined Surface
- Slip Resistant Surface with the LLLL® registered trademark

Certification

- ASTM A536
-
- Country of Origin: USA

Major Components

- 00819712
- 00819777

Drawing Revision

- 3/6/2012 Designer: SDC
- 3/7/2012 Revised By: SDC

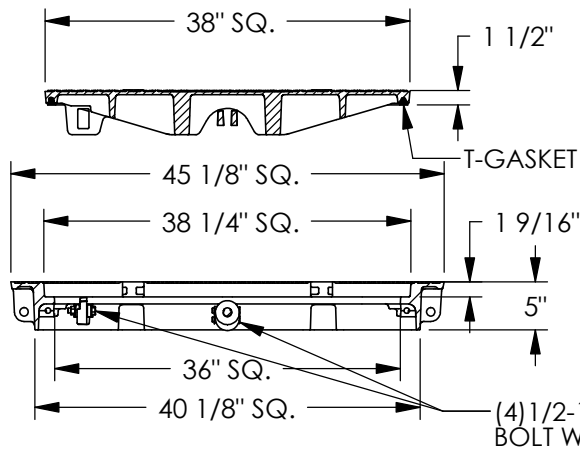
Disclaimer

Weights (lbs/kg), dimensions (inches/mm) and drawings provided for your guidance. We reserve the right to modify specifications without prior notice.

CONFIDENTIAL: This drawing is the property of EJ Group, Inc. and embodies confidential information, registered marks, patents, trade secret information, and/or know-how that is the property of EJ Group, Inc. Copyright © 2011 EJ Group, Inc. All rights reserved.

Contact

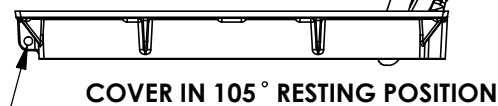
800.626.4653
 ejco.com



SECTION A-A

SAFETY BAR

STAINLESS STEEL MECHANICAL SPRING STRUT FOR LIFT ASSIST



(5) $\phi 7/8$ " HOLES FOR REBAR



**REMOVE COVER AT 90°
 (AFTER REMOVING SAFETY BAR
 AND MECHANICAL STRUT)**