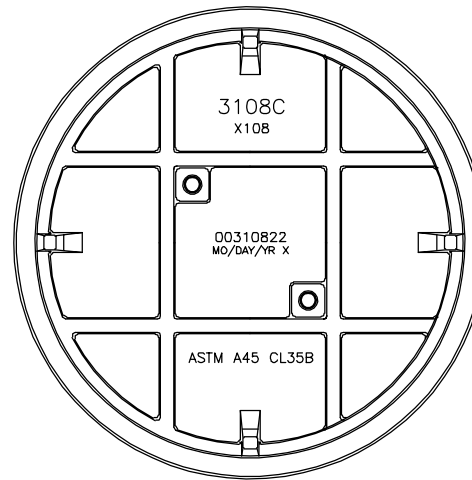
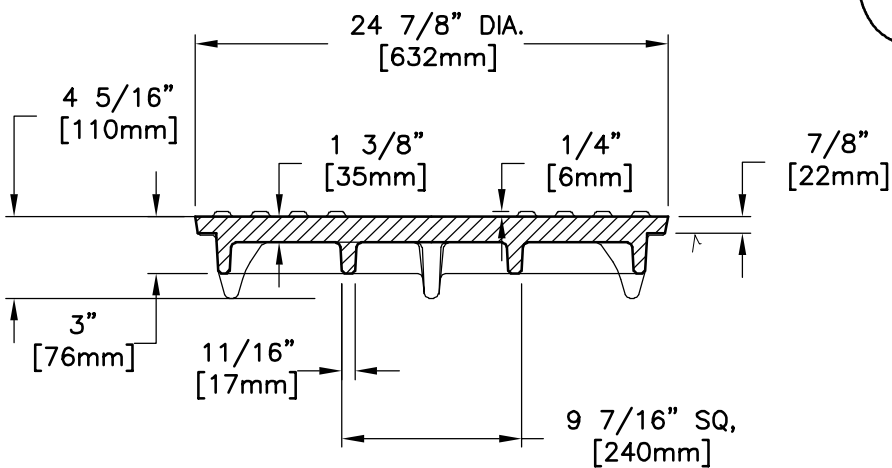


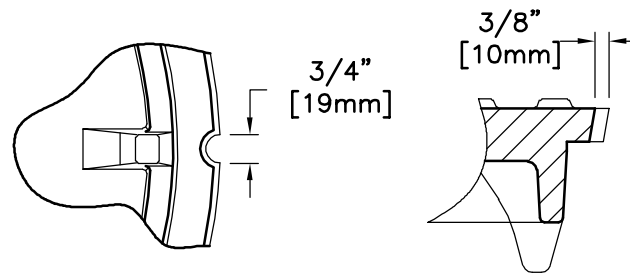
PLAN VIEW



BOTTOM VIEW



SECTION VIEW



OPEN PICKHOLE DETAIL

EAST JORDAN
 IRON WORKS, INC.
 P.O. BOX 439
 EAST JORDAN, MI. 49727
 1-800-874-4100
 FAX 231-536-4458

DRAWN TCL	DATE 05/20/03
APPROVED	DATE

**MANHOLE
 COVER
 (LBW X108)**

PRODUCT NO.
00310822

CATALOG NO.
3108C

REF. PRODUCT DRAWING
310822

EST. WT.
 COVER: 205 LBS 93kg

OPEN AREA
 N/A

MAT'L SPEC.
 COVER - GRAY IRON
 ASTM A48 CL35

LOAD RATING
 HEAVY DUTY