



LBIW Inc.

2020 WEST 14TH STREET
 LONG BEACH, CA. 90813
 Tel No. : (562) 432.5451
 Fax No. : (562) 432.5929
 www.lbiw.com

PRODUCT NUMBER

LB 409Q
1" SUPPORT
BOLT
 WITH OUTSIDE
 FIXED STIRRUP

LOAD RATING

COATING

GALVANIZED FINISH

EST. WEIGHT

SPECIFICATION

APWA 310-2
 OCEMA

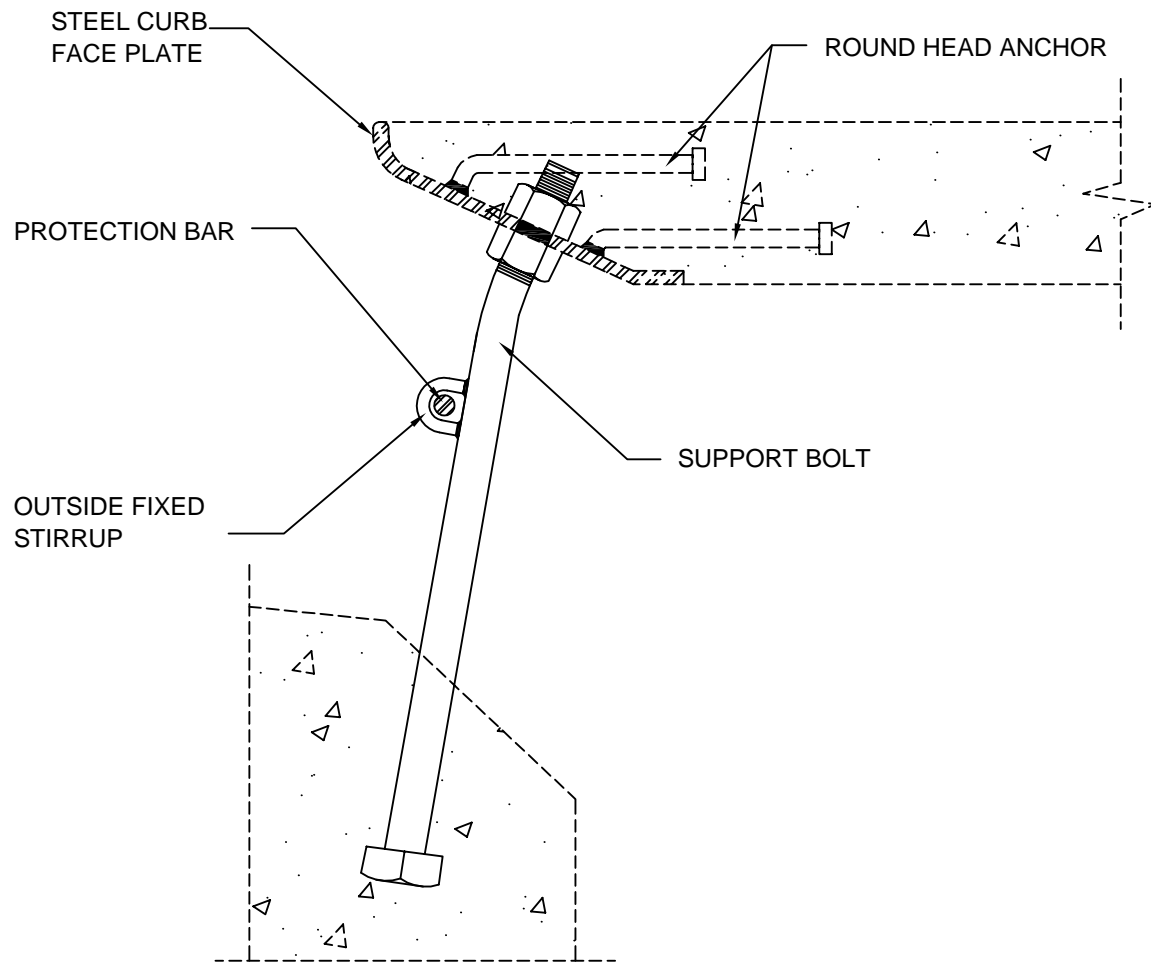
OPEN AREA

DESIGNATES MACHINED

DRAWN	DATE
EB	04-30-09
REVISED	DATE

REFERENCE INFORMATION

SECTION 07



NOTE : FOR 4 1/2" AND 6" CONCRETE DECKS