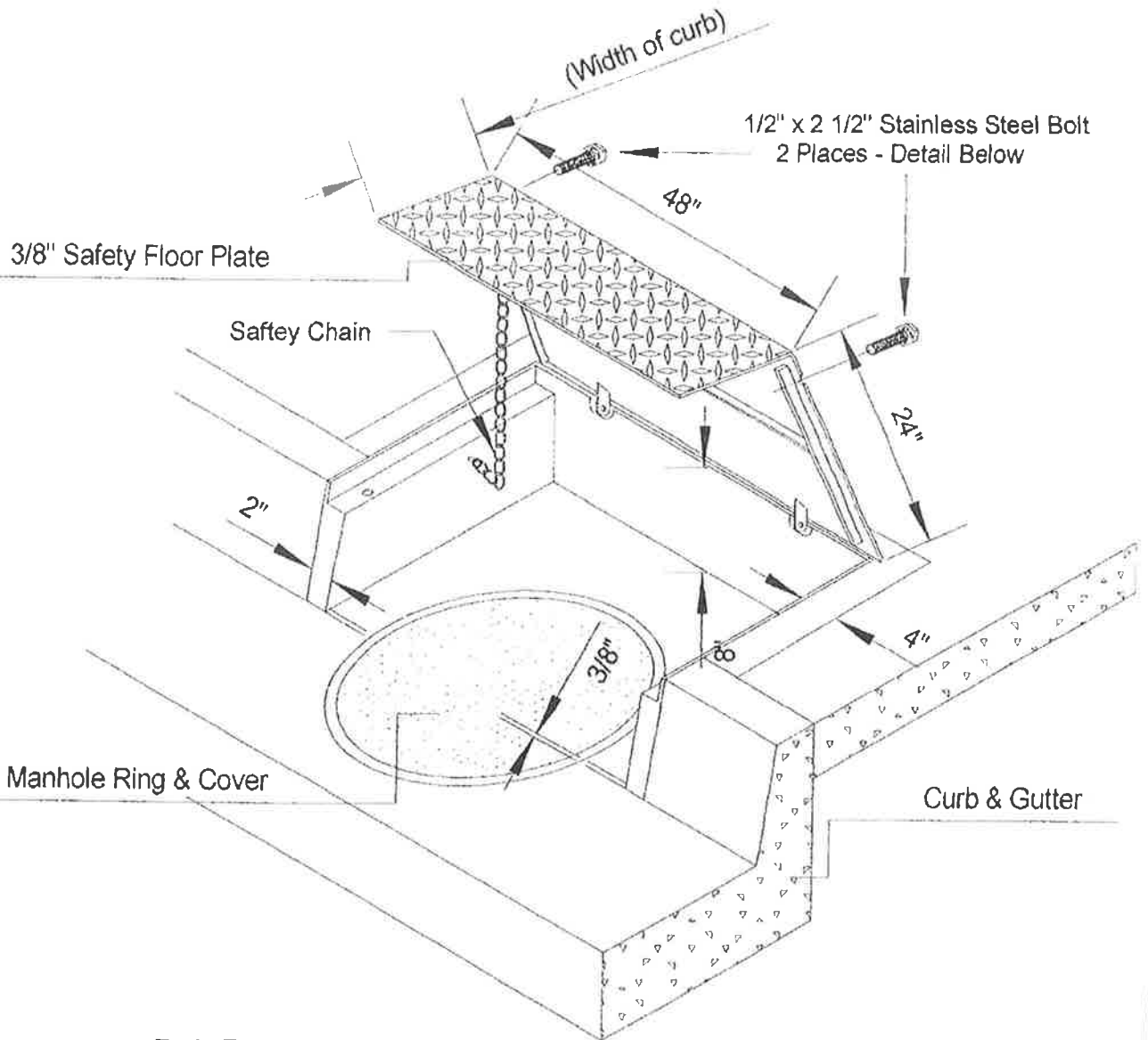
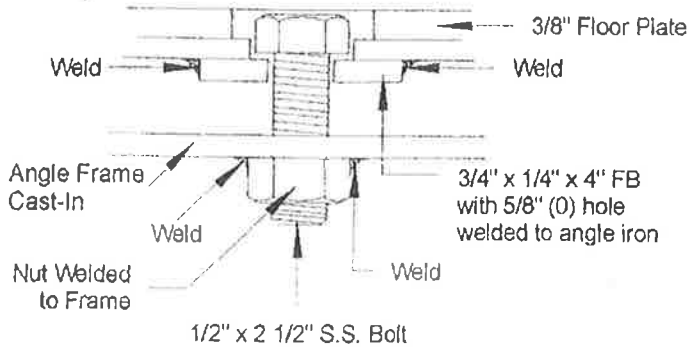


# FALSE CURB & GUTTER

ATTACHMENT TO  
LTC B5-0682- 264



## Bolt Down Detail



NO SCALE

<b>VERIZON</b> California			
LOCATION			
EXCHANGE		CO	
ISSUE DATE	APPROVALS	AREA	IC/DC
DWG DATE			
DWG NO	AREA GENERAL MANAGER		
	RELATED DWGS		WORK ORDER