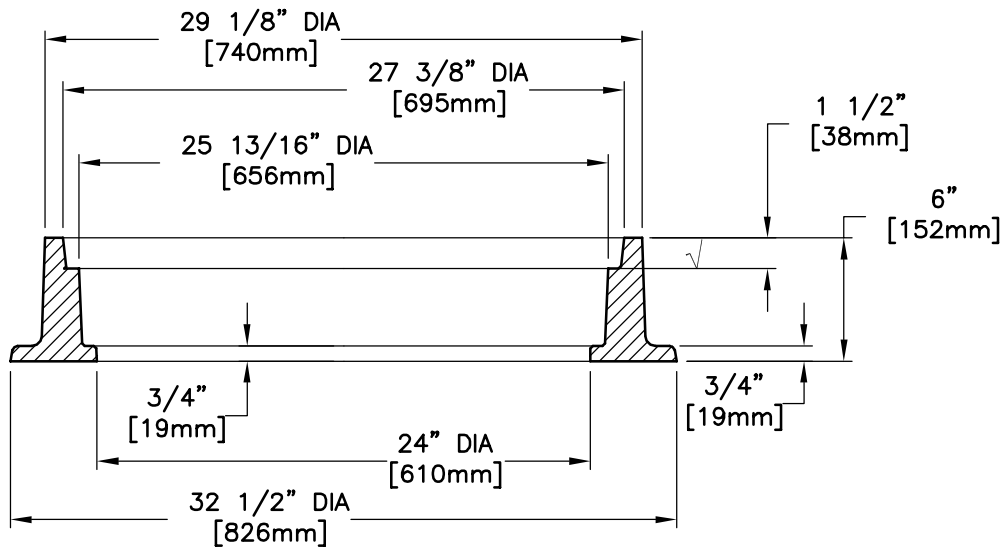


Reference:
 City of Los Angeles Standard Plan
 Drawing S-281-1
 Manhole Frame and Cover 24 Inch



RING SECTION

√ MACHINED SURFACE

EAST JORDAN
 IRON WORKS, INC.
 P.O. BOX 439
 EAST JORDAN, MI. 49727
 1-800-874-4100
 FAX 231-536-4458

DRAWN SBB	DATE 11/25/02
APPROVED	DATE

MANHOLE FRAME
 (LBIW X162)

PRODUCT NO.
00316210

CATALOG NO.
 3162Z

REF. PRODUCT DRAWING
 316210

EST. WT.
 FRAME: 265 LBS 120kg

OPEN AREA
 N/A

MAT'L SPEC.
 FRAME - GRAY IRON
 ASTM A48 CL35

LOAD RATING
 HEAVY DUTY