

**LBIW Inc.**  
 2020 WEST 14TH STREET  
 LONG BEACH, CA. 90813  
 Tel No. : (562) 432.5451  
 Fax No. : (562) 435.5929  
 www.lbiw.com

PRODUCT NUMBER  
**LB 400B-11S(V)**  
 GENERAL USE  
 STEEL STEP INSERT  
 FOR MANHOLE AND  
 CATCH BASIN

SPECIFICATIONS  
 MATERIAL : ASTM A36  
 ASTM A307  
 COATING : ASTM A123  
 (GALVANIZING)

**MADE IN USA**

EST. WEIGHT  
 LBS

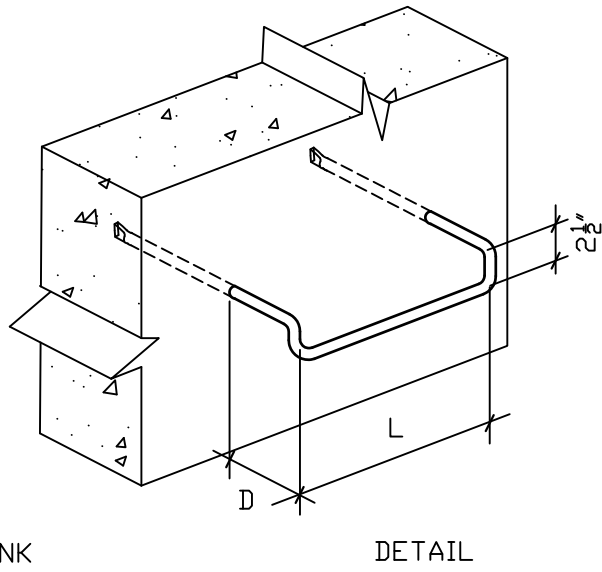
STANDARD PLAN REFERENCE  
 COLA STD PLAN  
 S-348-1

DRAWN EB	DATE 11-04-16
REVISED	DATE

REFERENCE INFORMATION  
 LBIW CATALOG  
 SECTION 07

LB 400 SERIES					
CATALOG NUMBER	L	D	E	LEG LENGTH	APPROX. WEIGHT
LB 400B-11S(V)	14"	4"	7"	11"	5 LBS

NOTE : DEFORMED ENDS OF LEG LENGTH (TYPICAL)



- NOTES :
1. ALL MEASUREMENTS ARE IN INCHES.
  2. STEPS MAY BE INSTALLED IN A CONCRETE WALL BY DRILLING A 1" DIAMETER HOLE AND DRY PACKING THE STEP IN PLACE WITH CLASS "C" MORTAR OR OTHER HIGH STRENGTH NON-SHRINK GROUT.



**LBIW Inc.**  
 2020 WEST 14TH STREET  
 LONG BEACH, CA. 90813  
 Tel No. : (562) 432.5451  
 Fax No. : (562) 435.5929  
 www.lbiw.com

PRODUCT NUMBER

**LB 404C-14  
 COLA**

STEEL STEP INSERT  
 FOR CONCRETE  
 STRUCTURES



SPECIFICATIONS

**MATERIAL** : ASTM A36  
 ASTM A307

**COATING** : ASTM A123  
 (GALVANIZING)

**MADE IN USA**

EST. WEIGHT

5 1/2 LBS

STANDARD PLAN REFERENCE

COLA STD PLAN  
 S-348-1

**DRAWN**

EB

**REVISED**

09-22-17

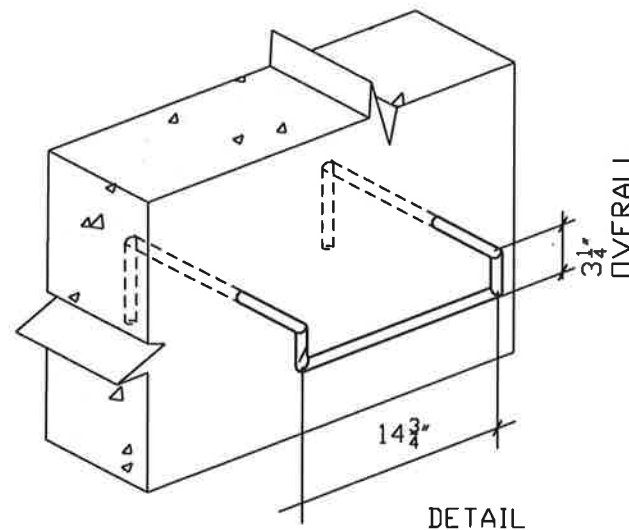
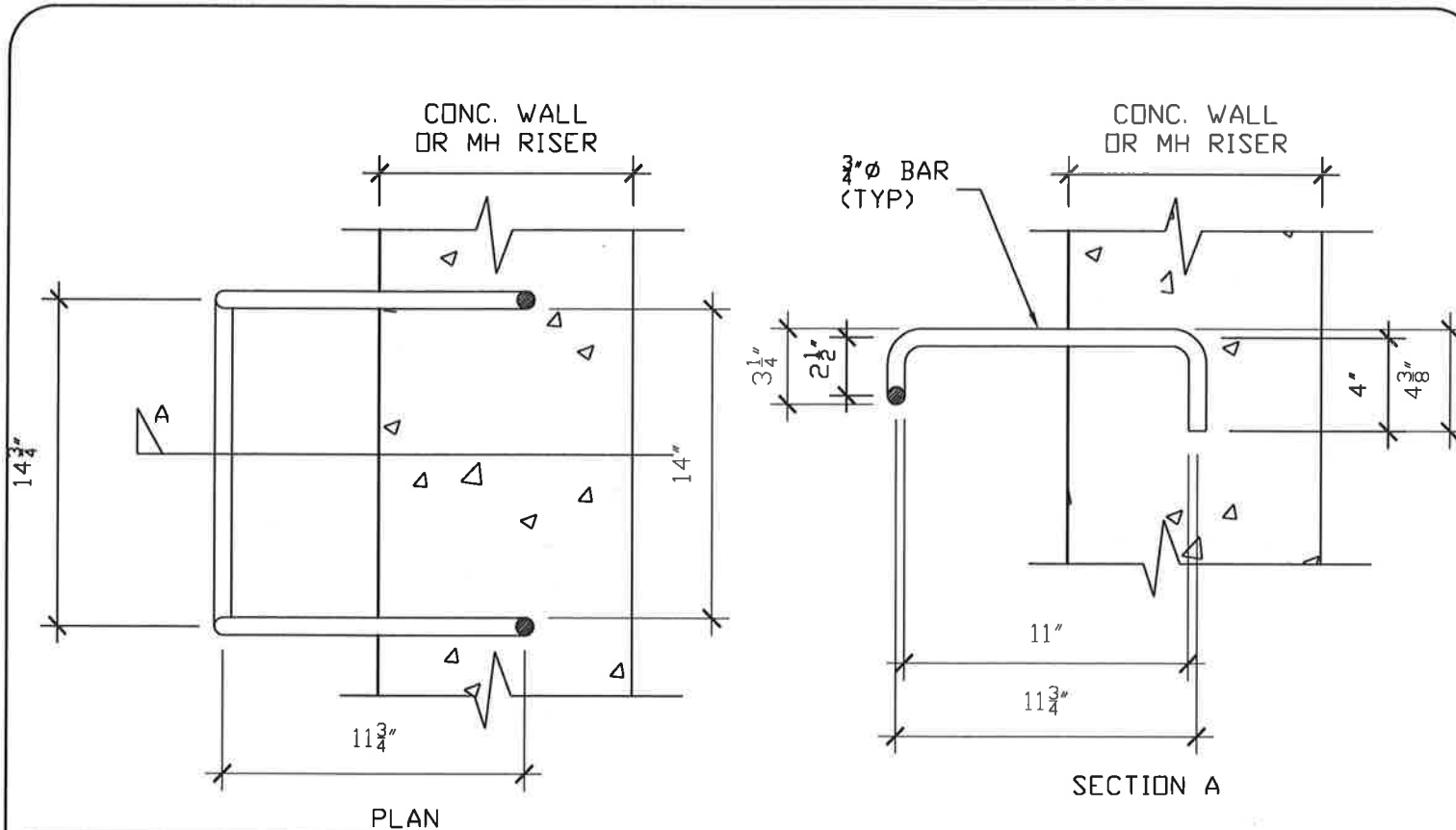
**DATE**

06-26-13

**DATE**

REFERENCE INFORMATION

LBIW CATALOG  
 SECTION 07



**LB 400 SERIES COLA**

CATALOG NUMBER	WIDTH	LEG LENGTH	APPROX. WEIGHT
LB 404C-14 COLA	14 3/4"	11 3/4"	5 1/2 LBS

DIMENSIONS ON THIS TABLE ARE CENTER TO CENTER OF THE ROUND BAR

NOTES :

- ALL MEASUREMENTS ARE IN INCHES  
 CHECK DIMENSIONS LOCATION ON THE  
 DRAWING
- FOR CAST IN PLACE INSTALLATION