

PRODUCT NUMBER

00543608

CATALOG NUMBER

5436-4

ASSEMBLY

LOAD RATING
EXTRA HEAVY DUTY
(PROOF LOAD TESTED
TO 200,000 LBS.)

COATING
DIPPED

MATERIAL SPECIFICATION
GRATES - DUCTILE IRON
ASTM A536
FRAMES - GRAY IRON
ASTM A48 CL35B

OPEN AREA
1538 SQ. IN.

√ DESIGNATES MACHINED
SURFACE

DRAWN
TCL

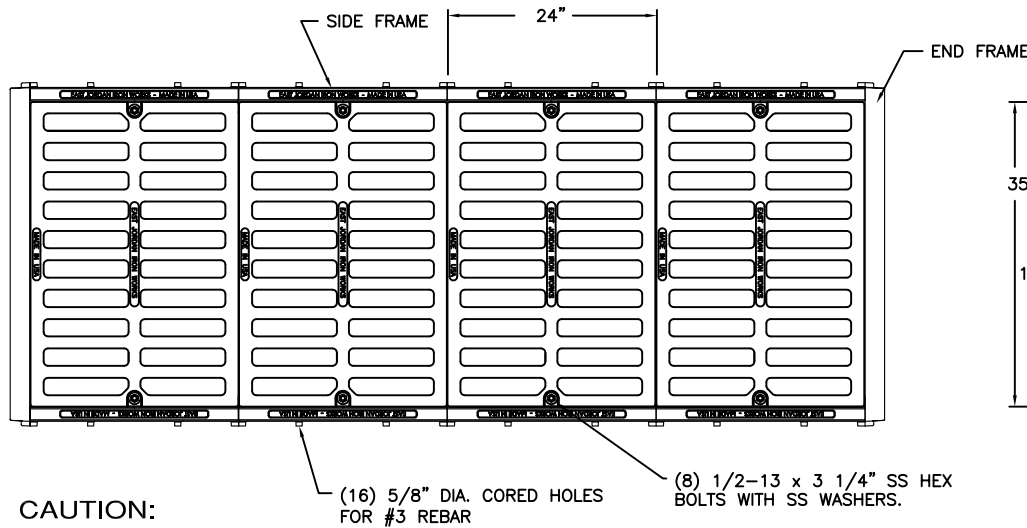
DATE
05/19/06

LAST REVISED
SBB

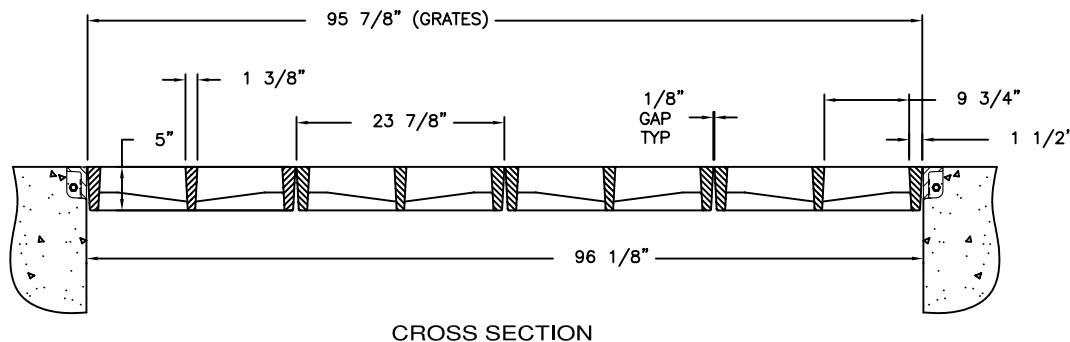
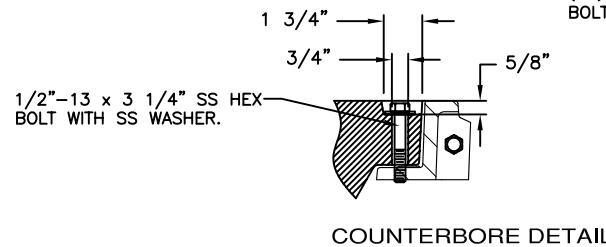
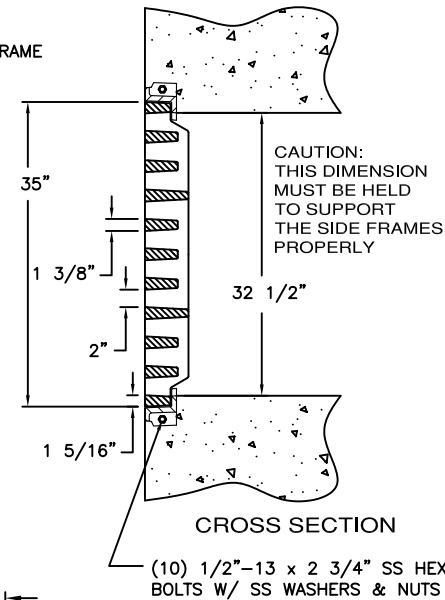
DATE
11/24/09

REFERENCE INFORMATION

00543632
00543612
00543614



CAUTION:
DO NOT
DISASSEMBLE
BOLTED GRATES
BEFORE SETTING
SECTIONS IN
CONCRETE.



CROSS SECTION