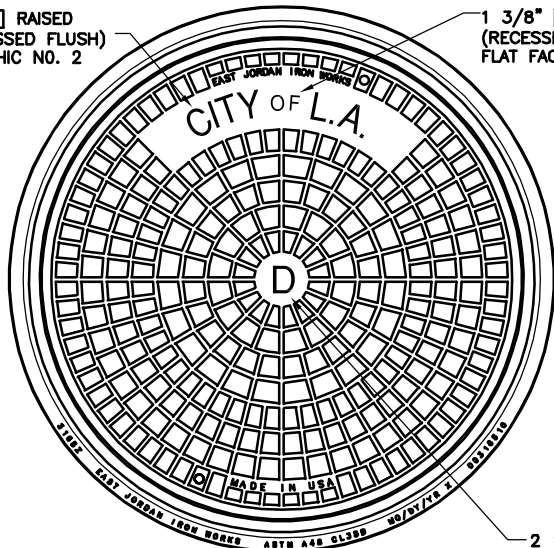


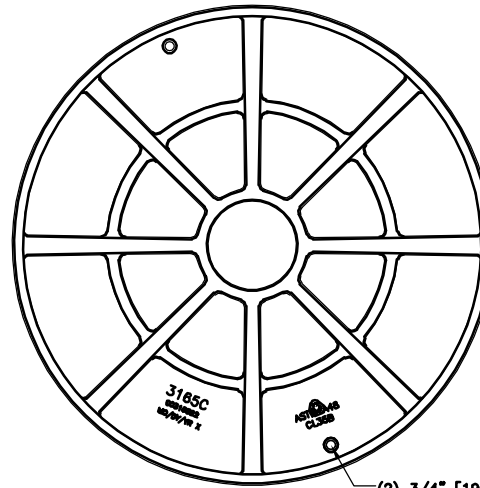
2 1/4" [57mm] RAISED  
LETTERS (RECESSED FLUSH)  
FLAT FACE GOTHIC NO. 2

1 3/8" [35mm] RAISED LETTERS  
(RECESSED FLUSH)  
FLAT FACE GOTHIC NO. 2



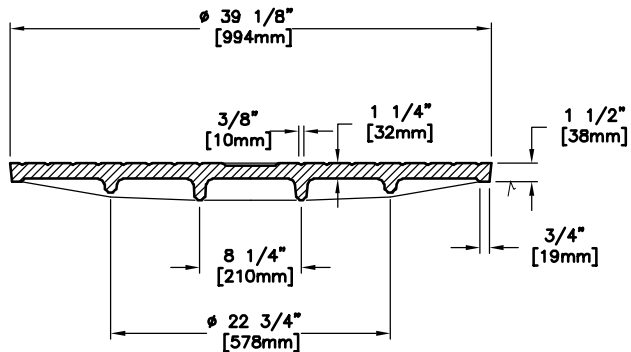
PLAN VIEW

2 1/4" [57mm] RAISED  
LETTERS (RECESSED FLUSH)  
FLAT FACE GOTHIC NO. 2

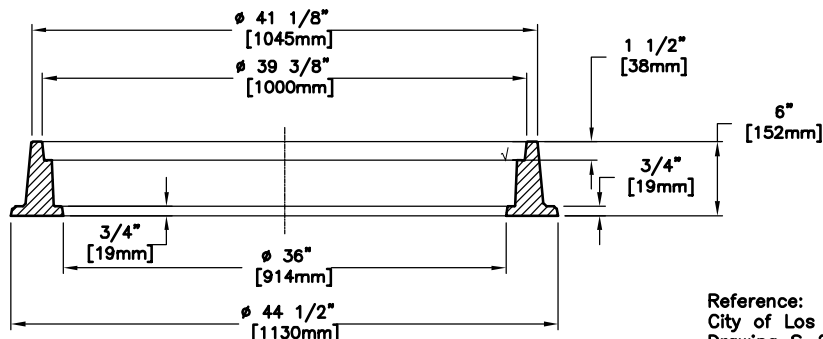


BOTTOM VIEW

(2) 3/4" [19mm] DIA  
HANDLING HOLES



SECTION VIEW



SECTION VIEW

Reference:  
City of Los Angeles Standard Plan  
Drawing S-286-1  
Manhole Frame and Cover 36 Inch

√ MACHINED SURFACE

EAST JORDAN  
IRON WORKS, INC.  
P.O. BOX 439  
EAST JORDAN, MI 49727  
1-800-874-4100  
FAX 231-536-4458

DRAWN JIJ	DATE 06/30/05
MODIFIED	DATE

MANHOLE ASSEMBLY

PRODUCT NUMBER

00316501

CATALOG NUMBER

3165C  
3165Z

PRODUCT NUMBERS

00316526  
00316510

ESTIMATED WEIGHT

COVER: 440 LBS 200kg  
FRAME: 375 LBS 170kg  
UNIT: 815 LBS 370kg

OPEN AREA

N/A

MATERIAL SPEC.

COVER - GRAY IRON  
ASTM A48 CL35B  
FRAME - GRAY IRON  
ASTM A48 CL35B

LOAD RATING

HEAVY DUTY