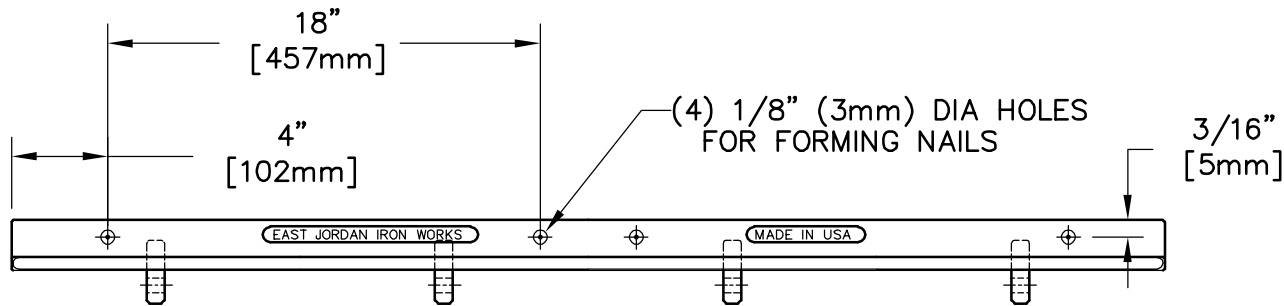
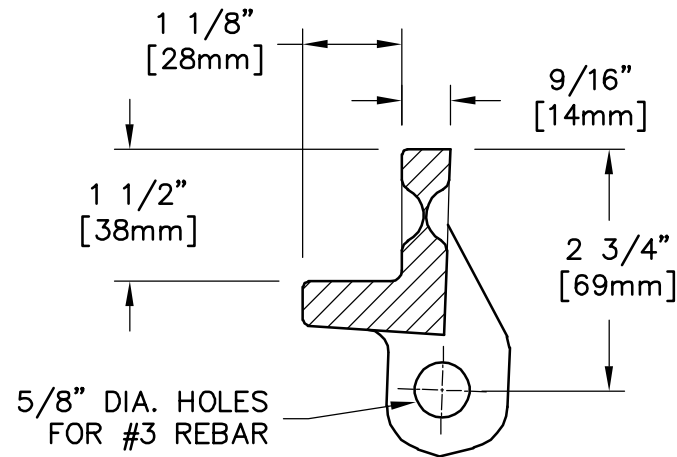
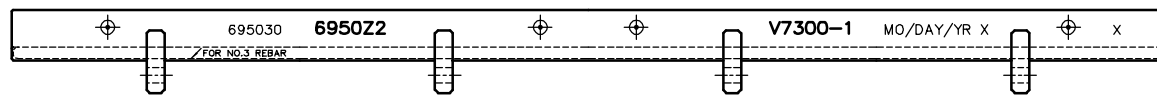


SIDE VIEW



SIDE VIEW



SIDE VIEW

EAST JORDAN  
IRON WORKS, INC.  
P.O. BOX 439  
EAST JORDAN, MI. 49727  
1-800-874-4100  
FAX 231-536-4458

DRAWN TRI	DATE 04/14/03
APPROVED	DATE

# 48" TRENCH FRAME

PRODUCT NO.  
**00695030**

CATALOG NO.  
**6950Z2  
DIPPED**

REF. PRODUCT DRAWING  
**695030**

EST. WT.  
FRAME: 22 LBS 10kg

OPEN AREA  
N/A

MAT'L SPEC.  
FRAME - GRAY IRON  
ASTM A48 CL35

LOAD RATING  
HEAVY DUTY