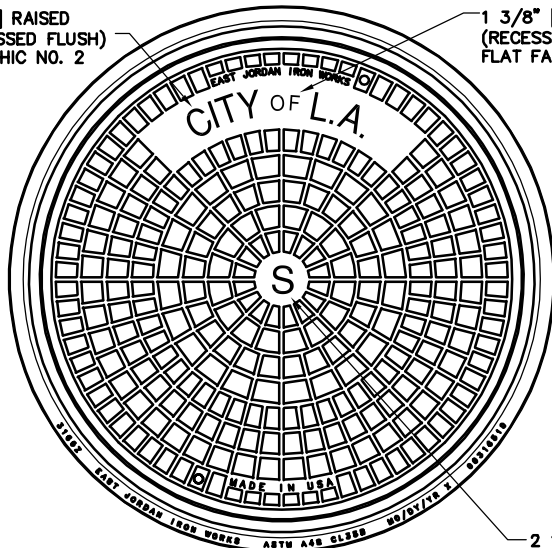


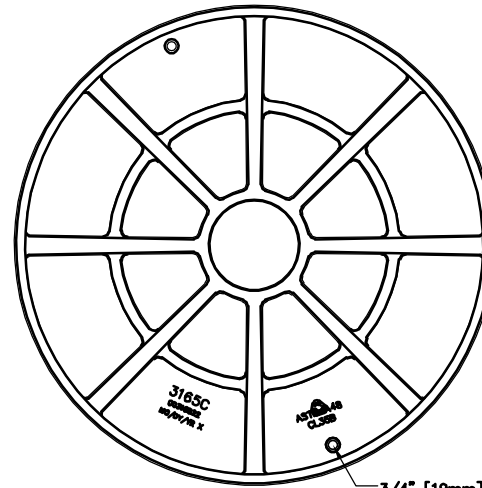
2 1/4" [57mm] RAISED
LETTERS (RECESSED FLUSH)
FLAT FACE GOTHIC NO. 2

1 3/8" [35mm] RAISED LETTERS
(RECESSED FLUSH)
FLAT FACE GOTHIC NO. 2



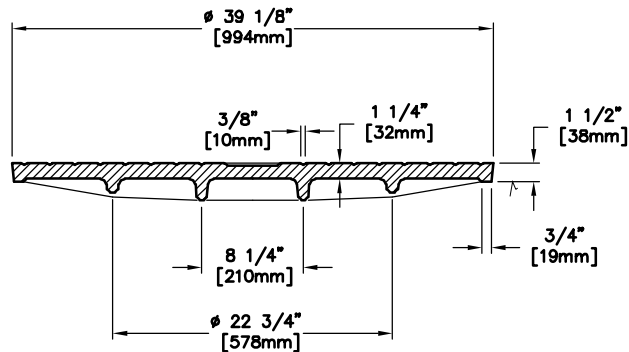
PLAN VIEW

2 1/4" [57mm] RAISED
LETTERS (RECESSED FLUSH)
FLAT FACE GOTHIC NO. 2

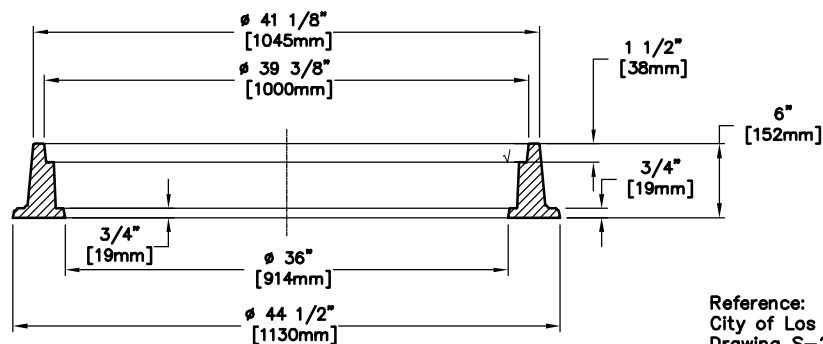


BOTTOM VIEW

3/4" [19mm] DIA
HANDLING HOLE



SECTION VIEW



SECTION VIEW

Reference:
City of Los Angeles Standard Plan
Drawing S-286-1
Manhole Frame and Cover 36 Inch

∇ MACHINED SURFACE

EAST JORDAN
IRON WORKS, INC.
P.O. BOX 439
EAST JORDAN, MI 49727
1-800-874-4100
FAX 231-536-4458

DRAWN TCL	DATE 00/00/05
MODIFIED	DATE

MANHOLE ASSEMBLY

PRODUCT NUMBER

00316500

CATALOG NUMBER

3165C
3165Z

PRODUCT NUMBERS

00316520
00316510

ESTIMATED WEIGHT

COVER: 440 LBS 200kg
FRAME: 375 LBS 170kg
UNIT: 815 LBS 370kg

OPEN AREA

N/A

MATERIAL SPEC.

COVER - GRAY IRON
ASTM A48 CL35B
FRAME - GRAY IRON
ASTM A48 CL35B

LOAD RATING

HEAVY DUTY