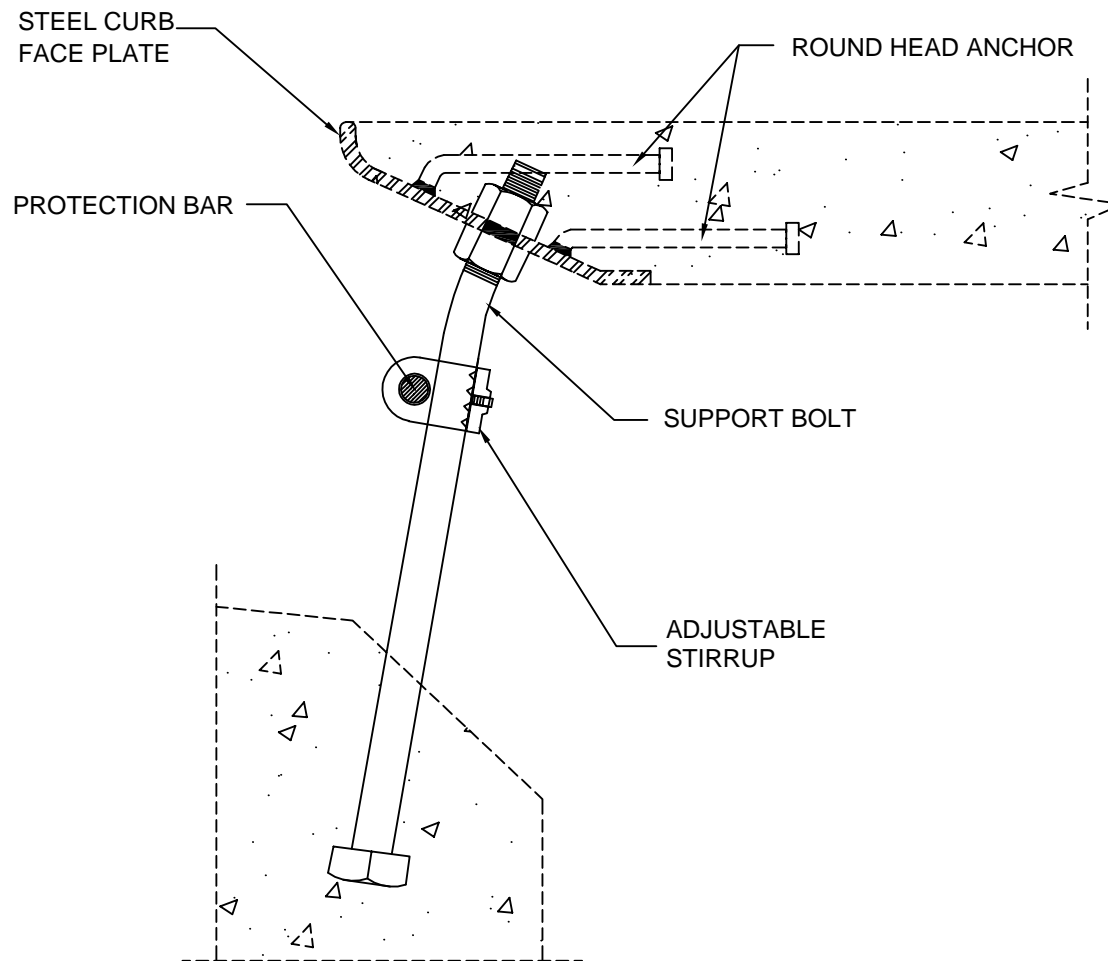




**LBIW Inc.**

2020 WEST 14TH STREET  
 LONG BEACH, CA. 90813  
 Tel No. : (562) 432.5451  
 Fax No. : (562) 432.5929  
 www.lbiw.com



NOTE : FOR 4 1/2" AND 6" CONCRETE DECKS

**PRODUCT NUMBER**

**LB 409M**  
**1" SUPPORT**  
**BOLT**  
**WITH ADJUSTABLE**  
**STIRRUP**

**LOAD RATING**

**COATING**

GALVANIZED FINISH

**EST. WEIGHT**

**SPECIFICATION**

APWA 310-2  
 RCFC & WCD

**OPEN AREA**

**DESIGNATES MACHINED**

**DRAWN**

EB

**DATE**

03-27-09

**REVISED**

**DATE**

**REFERENCE INFORMATION**

SECTION 07