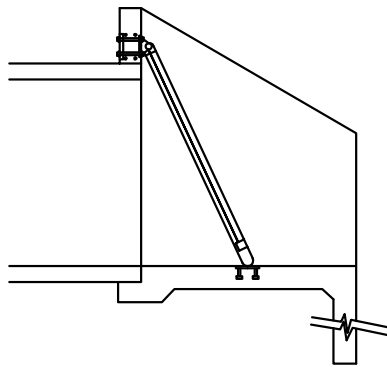
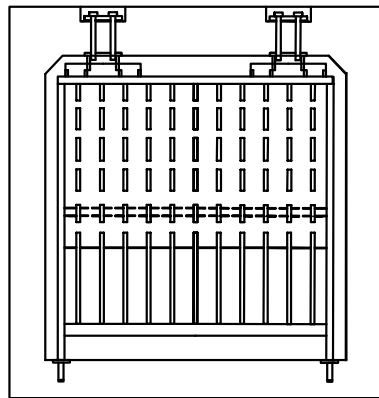


ELEVATION

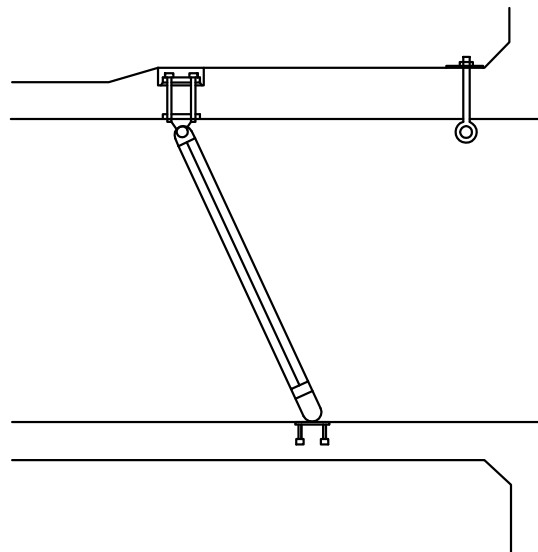


SECTION

**SLOPED PROTECTION BARRIER**

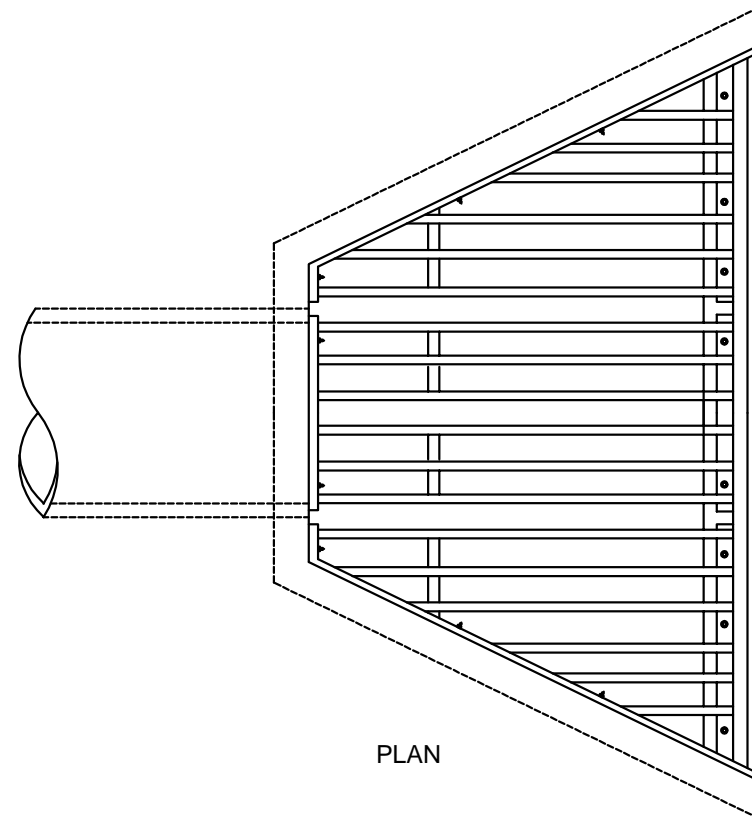


ELEVATION

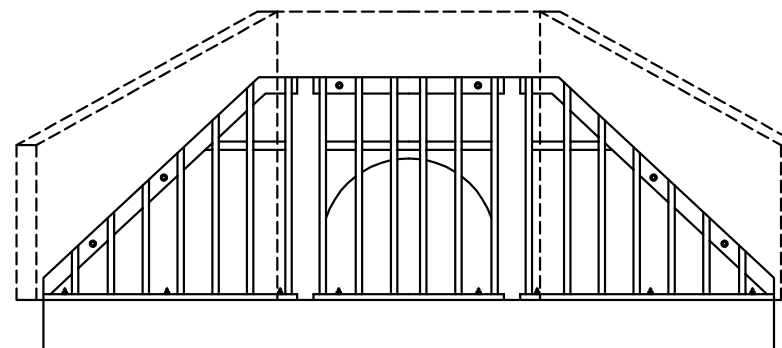


SECTION

**SLOPED PROTECTION BARRIER**



PLAN



ELEVATION

**TRASH RACK (INCLINED)**



**LBIW Inc.**  
 2020 WEST 14TH STREET  
 LONG BEACH, CA. 90813  
 Tel No. : (562) 432.5451  
 Fax No. : (562) 432.5929  
 www.lbiw.com

**PRODUCT NUMBER**

**TRASH RACK/  
 PROTECTION  
 BARRIER**

**COATING**

GALVANIZED

**SPECIFICATION**

**DRAWN**

**DATE**

03-16-09

**REFERENCE INFORMATION**

APWA 360 / 361