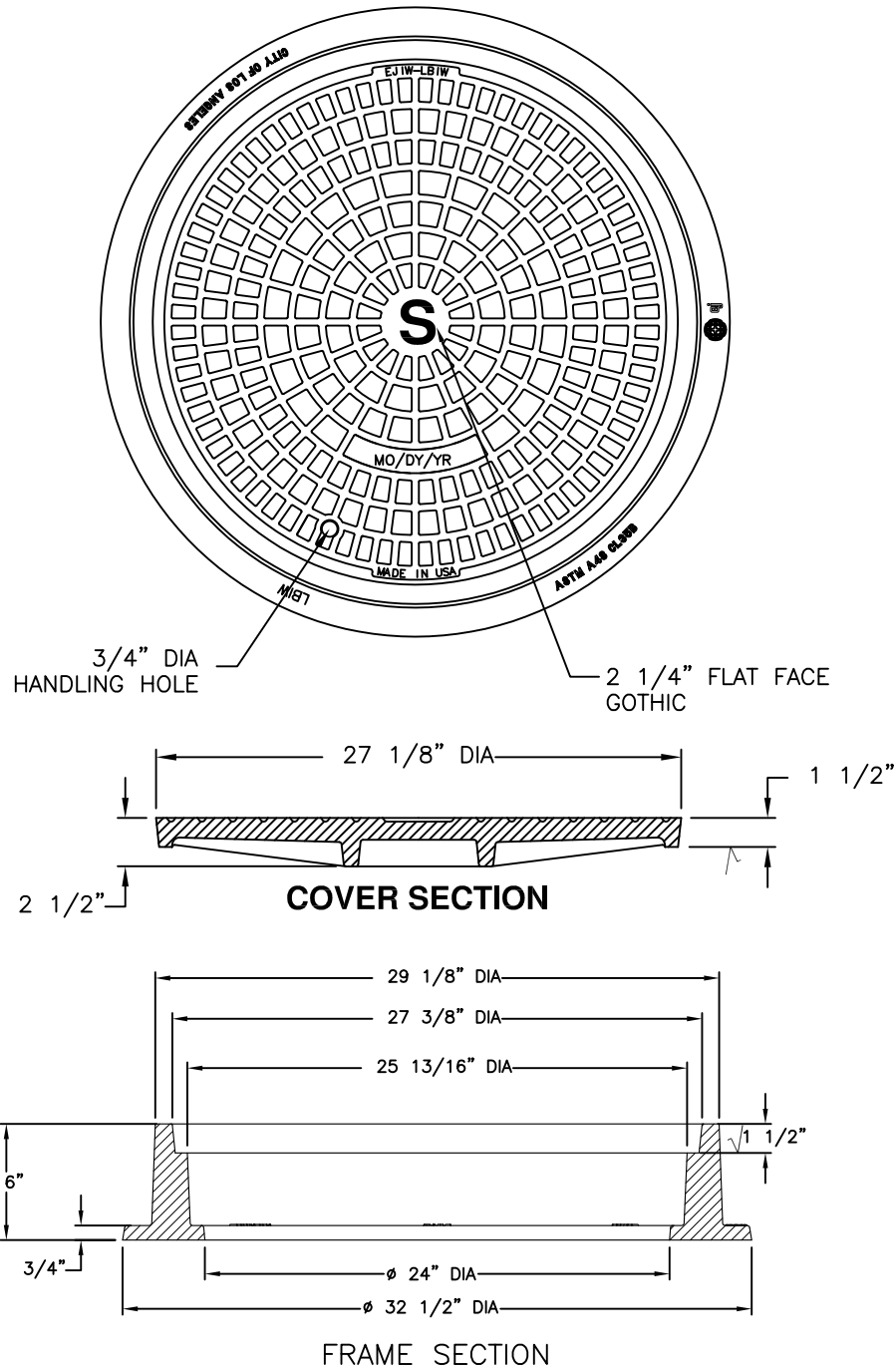


3162Z 3162C Assembly



Product Number

00316261A01

Design Features

- Materials
 - Frame
 - Gray Iron (CL35B)
 - Cover
 - Gray Iron (CL35B)

- Design Load
 - Heavy Duty
- Open Area

- Coating
 - Dipped
- √ Designates Machined Surface

Certification

-
-
-
- Country of Origin: USA

Major Components

00316210
00316261

Drawing Revision

06/29/2011 Designer: DEW
04/16/2013 Revised By: MAH

Disclaimer

Weights (lbs./kg) dimensions (inches/mm) and drawings provided for your guidance. We reserve the right to modify specifications without prior notice.

CONFIDENTIAL: This drawing is the property of EJ GROUP, Inc., and embodies confidential information, registered marks, patents, trade secret information, and/or know how that is the property of EJ GROUP, Inc. Copyright © 2012 EJ GROUP, Inc. All rights reserved.

Contact

800 626 4653
ejco.com