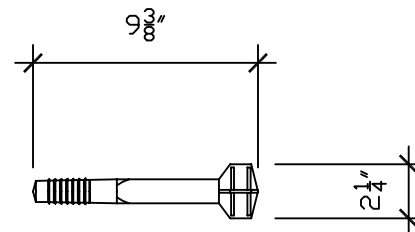
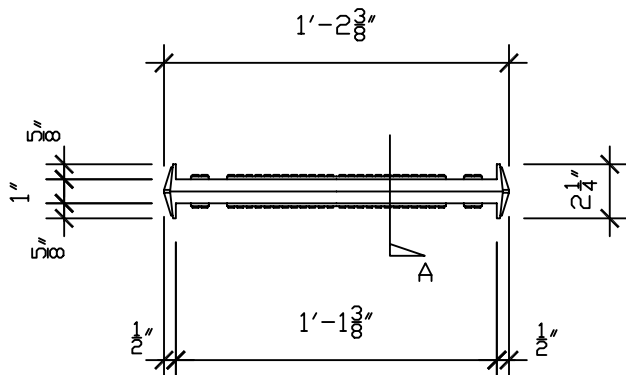


SECTION A



LB PS2-PF



**LBIW Inc.**

2020 WEST 14TH STREET  
LONG BEACH, CA. 90813  
Tel No. : (562) 432.5451  
Fax No. : (562) 435.5929

www.lbiw.com

**PRODUCT NUMBER**

**LB PS2-PF**

POLYPROPYLENE  
PLASTIC STEP INSERT  
WITH NON-SLIP  
SURFACE PATTERN

**SPECIFICATIONS**

**MATERIAL** : ASTM C-478  
AND AASHTO  
M-199

**MADE IN USA**

**EST. WEIGHT**

2 1/2 LBS

**STANDARD PLAN REFERENCE**

- \* APWA 636-2
- \* CALTRANS D74C

**DRAWN**

EB

**DATE**

01-08-09

**REVISED**

12-01-09

**DATE**

**REFERENCE INFORMATION**

LBIW CATALOG  
SECTION 07