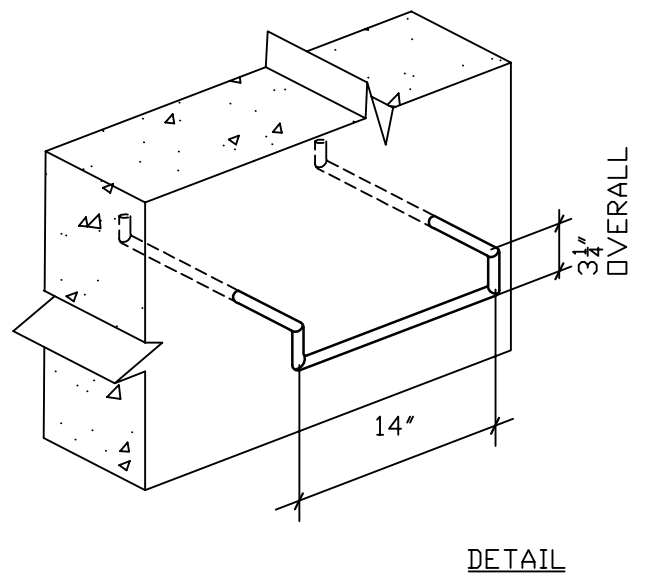


LB 400 SERIES			
CATALOG NUMBER	WIDTH	LEG LENGTH	APPROX. WEIGHT
LB 404S-14	14"	13"	5 1/2 LBS

- NOTES :
1. ALL MEASUREMENTS ARE IN INCHES.
  2. TYPE I MANHOLE STEP FOR CAST IN PLACE INSTALLATION



**LBIW Inc.**  
 2020 WEST 14TH STREET  
 LONG BEACH, CA. 90813  
 Tel No. : (562) 432.5451  
 Fax No. : (562) 435.5929  
 www.lbiw.com

**PRODUCT NUMBER**

**LB 404S-14**

**STAINLESS STEEL  
 STEP INSERT FOR  
 CONCRETE  
 STRUCTURES**

**SPECIFICATIONS**

**MATERIAL** : STAINLESS STEEL  
 TYPE 316

**MADE IN USA**

**EST. WEIGHT**

5 1/2 LBS

**STANDARD PLAN REFERENCE**

\* LACSD S-a-209 ( TYPE I )

<b>DRAWN</b> EB	<b>DATE</b> 01-09-09
<b>REVISED</b> 12-01-09	<b>DATE</b>

**REFERENCE INFORMATION**

LBIW CATALOG  
 SECTION 07