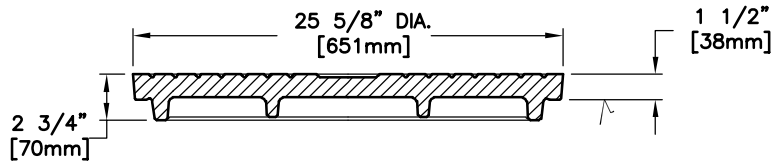
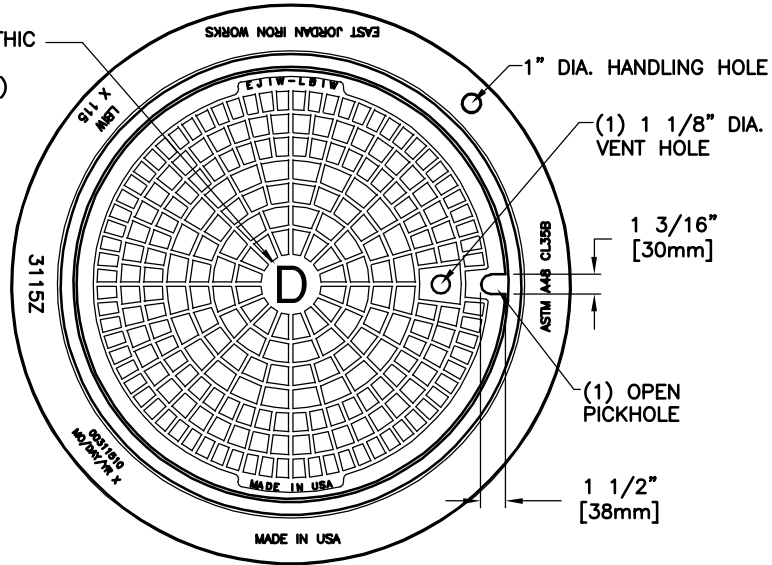
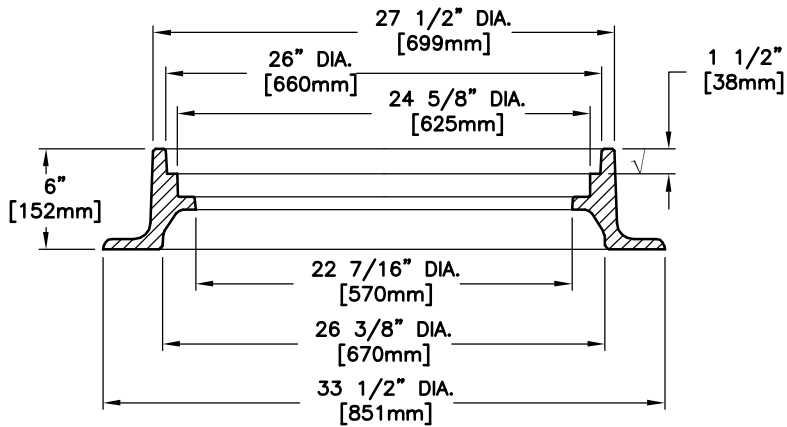


2 1/4" BOLD GOTHIC
RAISED LETTERING
(RECESSED FLUSH)



COVER SECTION



RING SECTION

√ MACHINED SURFACE

EAST JORDAN
IRON WORKS, INC.
P.O. BOX 439
EAST JORDAN, MI. 49727
1-800-874-4100
FAX 231-536-4458

DRAWN
SBB

DATE
10/21/03

APPROVED

DATE

MANHOLE ASSEMBLY

PRODUCT NO.

00311502

CATALOG NO.

3115C
3115Z

REF. PRODUCT DRAWING

00311510
00311524

EST. WT.

COVER: 210 LBS 95kg
FRAME: 205 LBS 93kg
UNIT: 415 LBS 189kg

OPEN AREA

N/A

MAT'L SPEC.

COVER - GRAY IRON
ASTM A48 CL35
FRAME - GRAY IRON
ASTM A48 CL35

LOAD RATING

HEAVY DUTY