



**LBIW Inc.**

2020 WEST 14TH STREET  
 LONG BEACH, CA. 90813  
 Tel No. : (562) 432.5451  
 Fax No. : (562) 435.5929  
 www.lbiw.com

**PRODUCT NUMBER**

**LB 18-9**

**RECTANGULAR  
 GRATE**

**LOAD RATING**

TRAFFIC RATED

**SPECIFICATIONS**

- MATERIAL** : ASTM A36
- COATING** : ASTM A123  
 (GALVANIZING)
- : MILL FINISH  
 (UNCOATED)

**MADE IN USA**

**EST. WEIGHT**

204 LBS

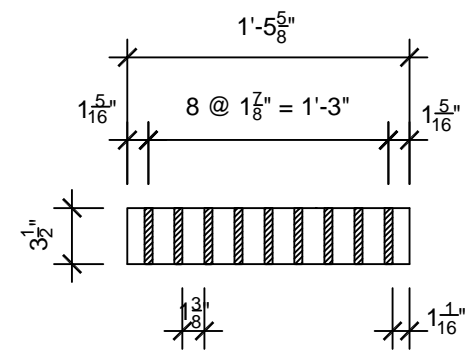
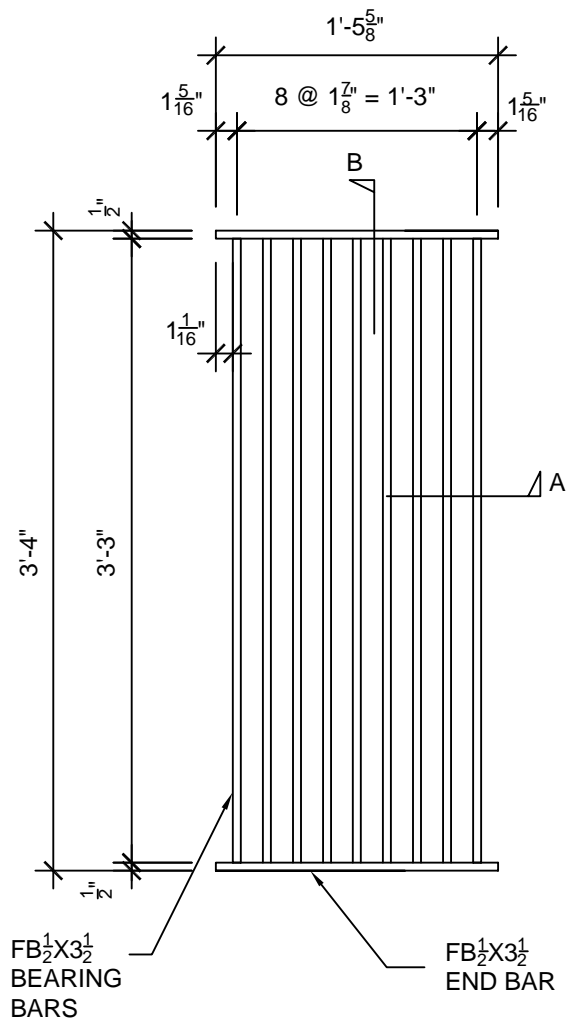
**STANDARD PLAN REFERENCE**

\*CALTRANS D77A

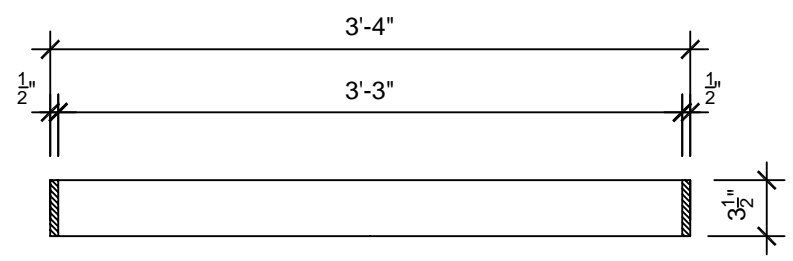
<b>DRAWN</b>	<b>DATE</b>
EB	08-10-09
<b>REVISED</b>	<b>DATE</b>
12-16-09	

**REFERENCE INFORMATION**

LBIW CATALOG  
 SECTION 08



SECTION A



SECTION B

**LB 18-9 GRATE**