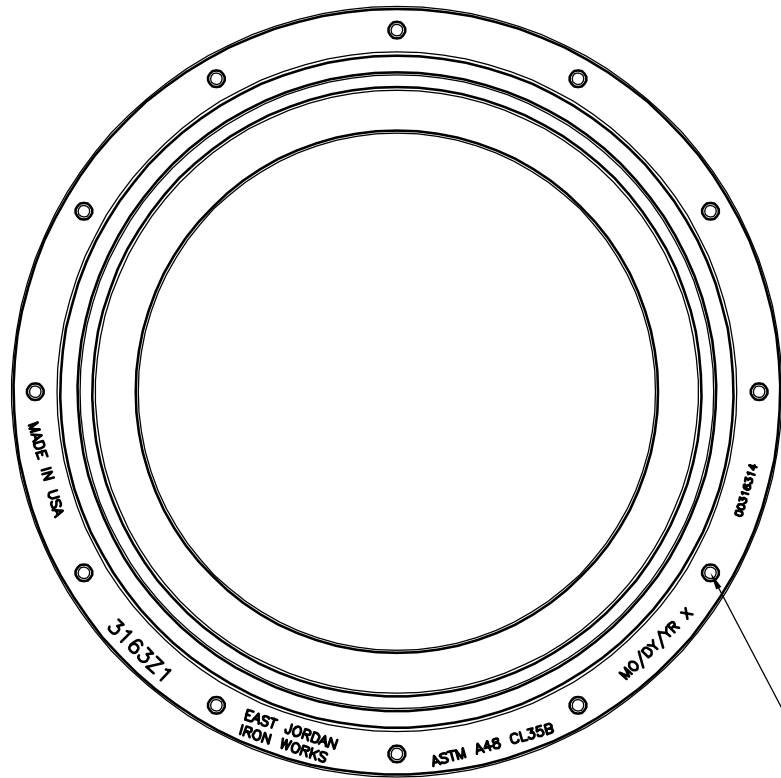
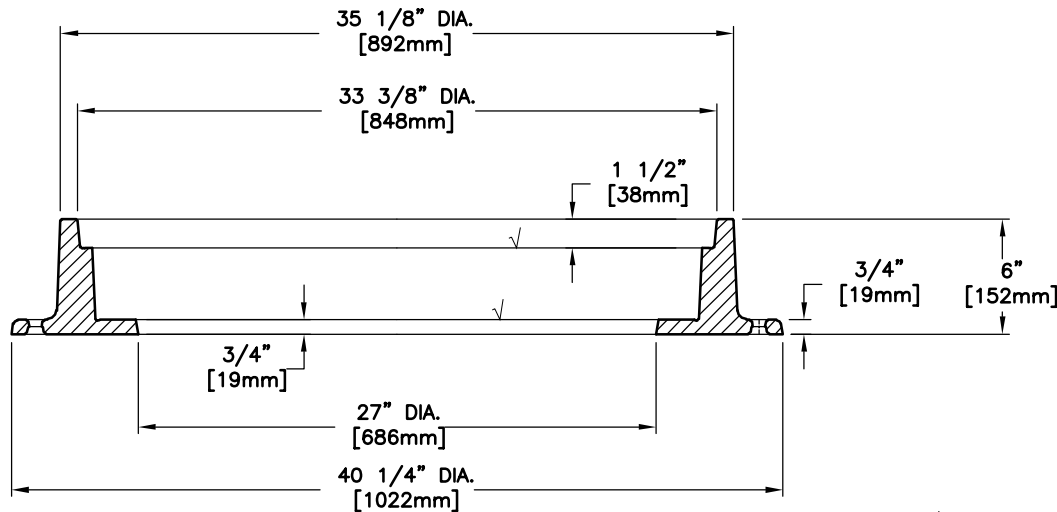


Reference:  
 City of Los Angeles Standard Plan  
 Drawing S-284-2  
 Pressure Manhole Frame and Cover



(12) 5/8" [16mm] DIA. BOLTHOLES  
 ON 37 3/4" BOLT CIRCLE



✓ MACHINED SURFACE

EAST JORDAN  
 IRON WORKS, INC.  
 P.O. BOX 439  
 EAST JORDAN, MI. 49727  
 1-800-874-4100  
 FAX 231-536-4458

|              |                  |
|--------------|------------------|
| DRAWN<br>JIJ | DATE<br>04/19/02 |
| APPROVED     | DATE             |

|   |
|---|
| <b>MANHOLE<br/>FRAME<br/>(LBIW X1502)</b>         |
| PRODUCT NO.<br><b>00316314</b>                    |
| CATALOG NO.<br><b>3163Z1</b>                      |
| REF. PRODUCT DRAWING<br><b>316314</b>             |
| EST. WT.<br>FRAME: 365 LBS 166kg                  |
| OPEN AREA<br>N/A                                  |
| MAT'L SPEC.<br>FRAME - GRAY IRON<br>ASTM A48 CL35 |
| LOAD RATING<br>HEAVY DUTY                         |