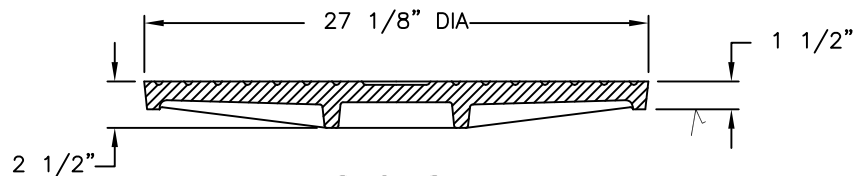
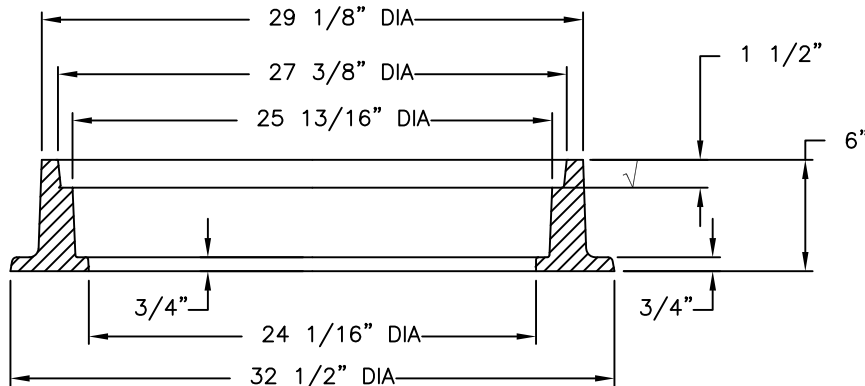


BOTTOM VIEW

3/4" DIA
HANDLING HOLE



SECTION



RING SECTION

EJIW EAST JORDAN
IRON WORKS EST.1883

800-626-4653
www.ejiw.com
MADE IN USA

PRODUCT NUMBER

00316241A01

CATALOG NUMBER

3162C
3162Z

MANHOLE ASSEMBLY

LOAD RATING

HEAVY DUTY H-20

COATING

DIPPED

MATERIAL SPECIFICATION

COVER - GRAY IRON
ASTM A48 CL35B

FRAME - GRAY IRON
ASTM A48 CL35B

OPEN AREA

N/A

√ DESIGNATES MACHINED
SURFACE

DRAWN

DEW

DATE

09/22/08

LAST REVISED

DATE

REFERENCE INFORMATION

00316241

00316210