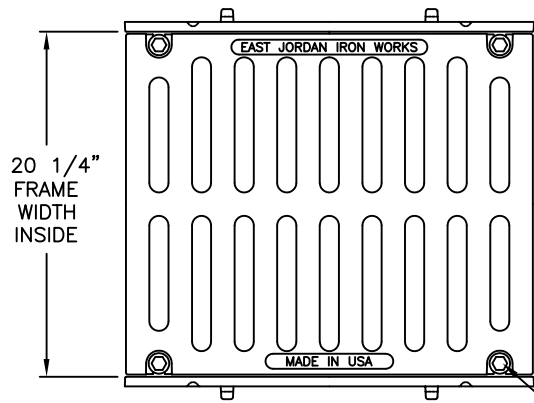
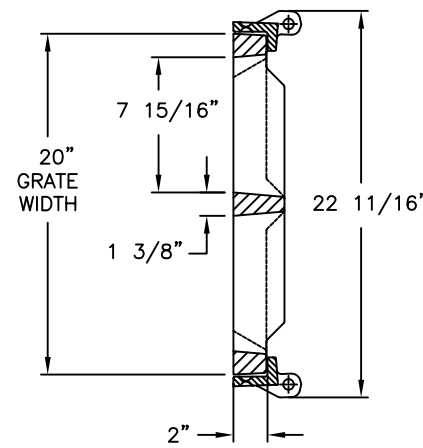


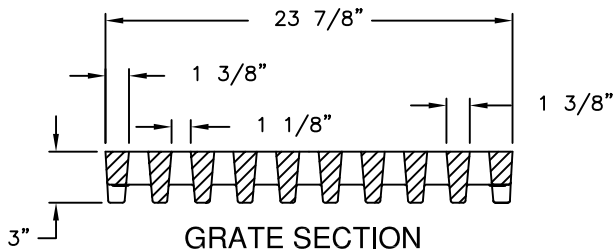
6906M4/6900Z1 AIRPORT TRENCH ASSEMBLY



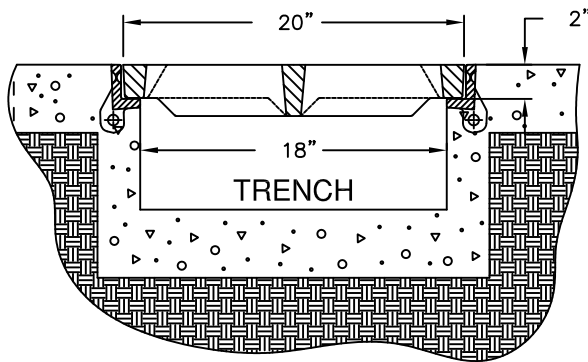
(4) 1/2"-13 X 2" HEX HD S.S. CAP SCREWS W/SS LOCK & FLAT WASHERS



GRATE & FRAME ASSEMBLY



GRATE SECTION



GRATE SECTION

CAUTION:
DO NOT DISASSEMBLE BOLTED GRATES.
CHECK FRAME WIDTH INSIDE BEFORE
SETTING SECTIONS IN CONCRETE.

PRODUCT NUMBER

00690608

DESIGN FEATURES

MATERIALS

GRATE-DUCTILE IRON
ASTM A536

FRAME-GRAY IRON
ASTM A48 CL35B

DESIGN LOAD

EXTRA HEAVY DUTY
(PROOF-LOAD TESTED TO 200,000 LBS)

COATING

UNDIPPED

OPEN AREA

75 SQ. IN./lin ft.

√ DESIGNATES MACHINED SURFACE

REFERENCE INFORMATION

00690654

00690023

DRAWING DETAILS

ORIGINAL DRAWING: DEW 07/28/07

REVISED BY: SMM 02/02/11

Corporate
Headquarters
301 Spring Street
PO Box 439
East Jordan, MI
49727-0439
800.874.4100



Call Today for
More Information

800.626.4653

EJIW EAST JORDAN
IRON WORKS EST 1883
WE COVER YOUR INFRASTRUCTURE

www.ejiw.com
MADE IN THE USA

- Weights (lbs./kg.), dimensions (inches/mm.), and drawings provided for your guidance.
- We reserve the right to modify specifications without prior notice.
- Uncontrolled distribution.

CONFIDENTIAL: This drawing is the property of East Jordan Iron works, Inc., and embodies confidential information, registered marks, trade secret information, and/or know how that is the property of East Jordan Iron Works, Inc. ©Copyright 2009 East Jordan Iron Works, Inc.