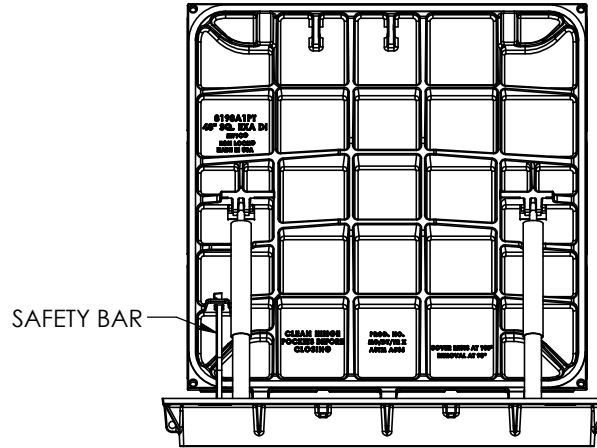
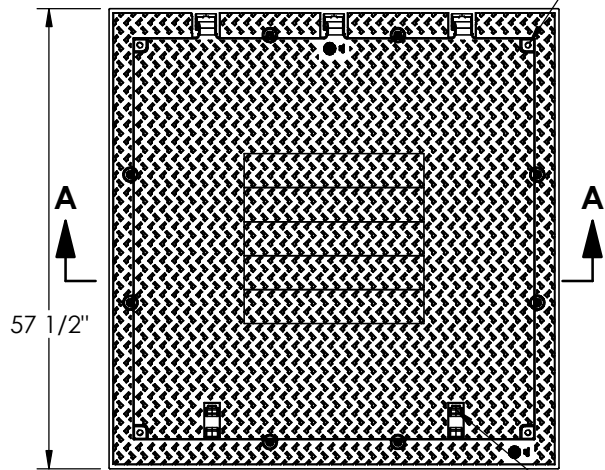


8198 Assembly



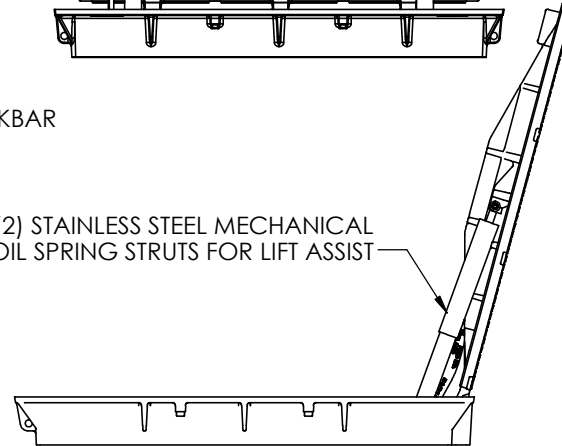
(12) 1/2-13 x 2 1/4" SS HEX HEAD BOLTS W/ SS WASHERS



SAFETY BAR

MPIC® MULTI-TOOL PICKBAR

(2) STAINLESS STEEL MECHANICAL COIL SPRING STRUTS FOR LIFT ASSIST



COVER IN 105° RESTING POSITION

Product Number

00819861B01

Design Features

- Materials
 - Hatch Cover Ductile Iron (70-50-05)
 - Hatch Frame Ductile Iron (70-50-05)

- Design Load Airport Extra Heavy Duty (Proof Load Tested to 200,000lbs.)

- Open Area n/a

- Coating Undipped

- √ Designates Machined Surface

- Slip Resistant Surface with the LLLL® registered trademark

Certification

- ASTM A536

- Country of Origin: USA

Major Components

- 00819861
- 00819811

Drawing Revision

- 6/8/2010 Designer: DEF
- 2/1/2012 Revised By: DEF

Disclaimer

Weights (lbs/kg), dimensions (inches/mm) and drawings provided for your guidance. We reserve the right to modify specifications without prior notice.

CONFIDENTIAL: This drawing is the property of EJ Group, Inc. and embodies confidential information, registered marks, patents, trade secret information, and/or know-how that is the property of EJ Group, Inc. Copyright © 2011 EJ Group, Inc. All rights reserved.

Contact

800.626.4653
ejco.com

