

EAST JORDAN
 IRON WORKS, INC.
 P.O. BOX 439
 EAST JORDAN, MI. 49727
 1-800-874-4100
 FAX 231-536-4458

| | |
|--------------|------------------|
| DRAWN SBB | DATE 11/05/03 |
| APPROVED | DATE |

**MANHOLE
 FRAME**
 (LBIW X166)

PRODUCT NO.
00316612

CATALOG NO.
 3166Z1

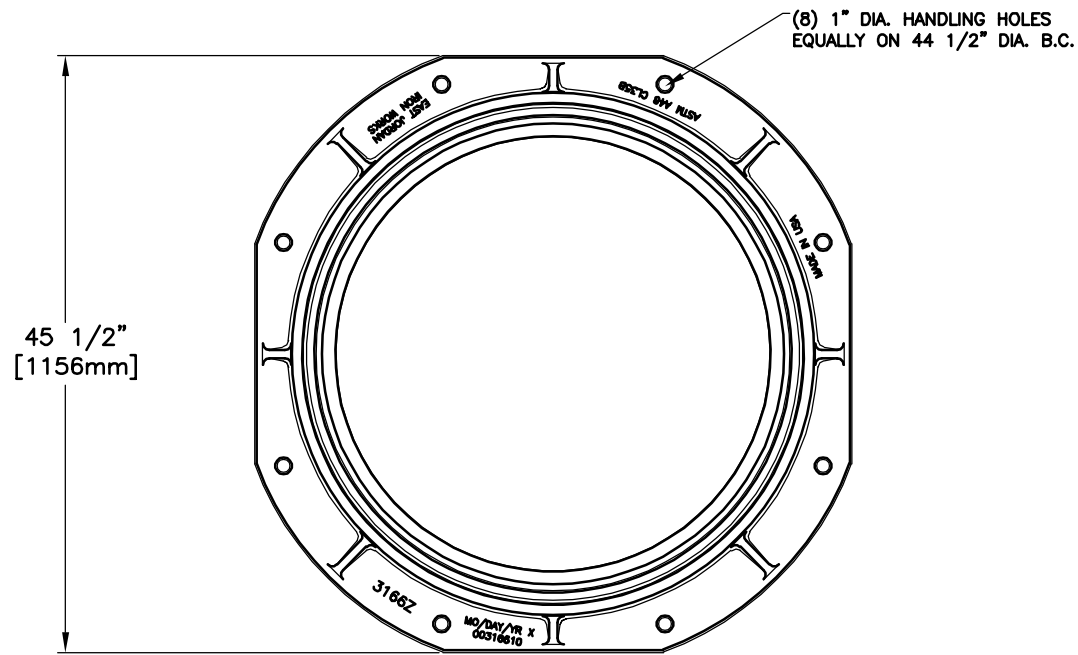
REF. PRODUCT DRAWING
 316612

EST. WT.
 FRAME: 510 LBS 232kg

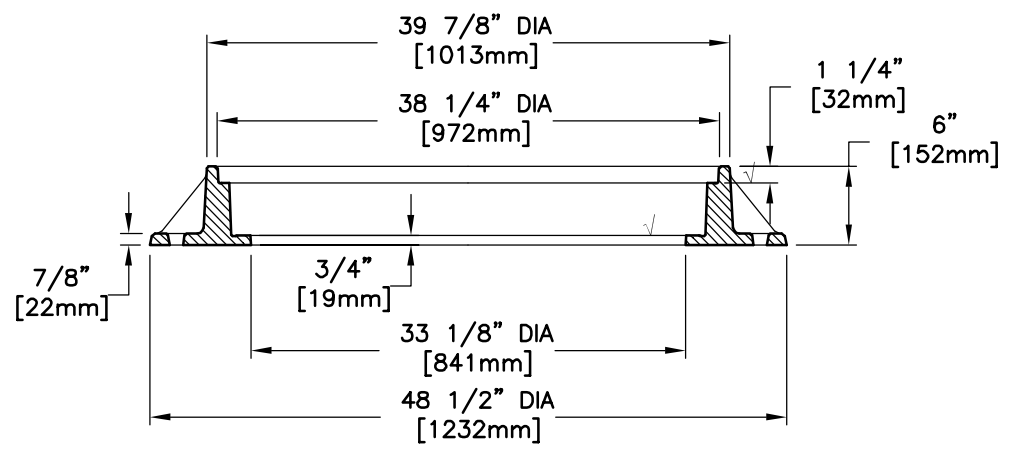
OPEN AREA
 N/A

MAT'L SPEC.
 FRAME - GRAY IRON
 ASTM A48 CL35

LOAD RATING
 HEAVY DUTY



PLAN VIEW



SECTION VIEW

√ MACHINED SURFACE