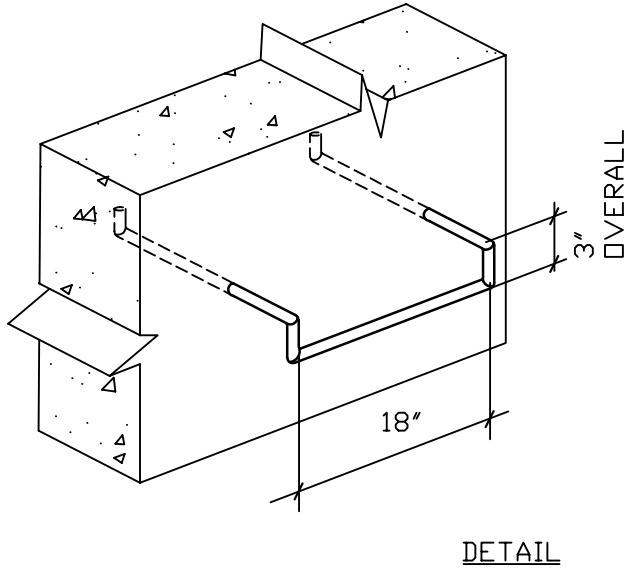


LB 400 SERIES			
CATALOG NUMBER	WIDTH	LEG LENGTH	APPROX. WEIGHT
LB 404C-18	18"	11"	6½ LBS

- NOTES :
1. ALL MEASUREMENTS ARE IN INCHES.
 2. FOR CAST IN PLACE INSTALLATION



LBIW Inc.
 2020 WEST 14TH STREET
 LONG BEACH, CA. 90813
 Tel No. : (562) 432.5451
 Fax No. : (562) 435.5929
 www.lbiw.com

PRODUCT NUMBER

LB 404C-18

STEEL STEP INSERT FOR CONCRETE STRUCTURES

SPECIFICATIONS

MATERIAL : ASTM A36
 ASTM A307

COATING : ASTM A123
 (GALVANIZING)

MADE IN USA

EST. WEIGHT

6½ LBS

STANDARD PLAN REFERENCE

* CALTRANS D74C

DRAWN	DATE
EB	04-29-09

REVISED	DATE
12-01-09	

REFERENCE INFORMATION

LBIW CATALOG SECTION 07