

# 3 1/2" MOORING EYE

PRODUCT NUMBER

**00599300**

DESIGN FEATURES

MATERIALS

EYE-DUCTILE IRON  
ASTM A536

DESIGN LOAD

9000 LBS

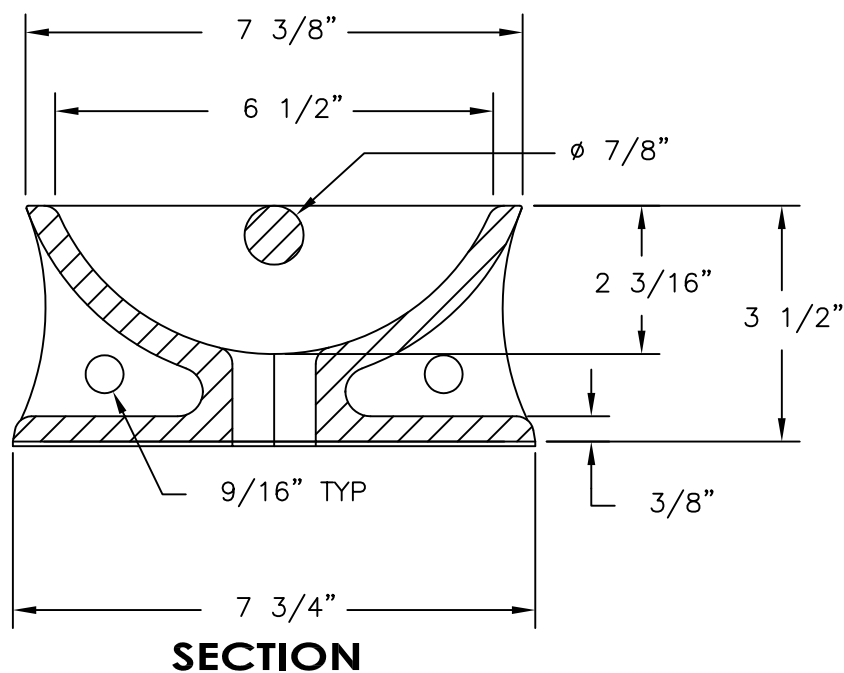
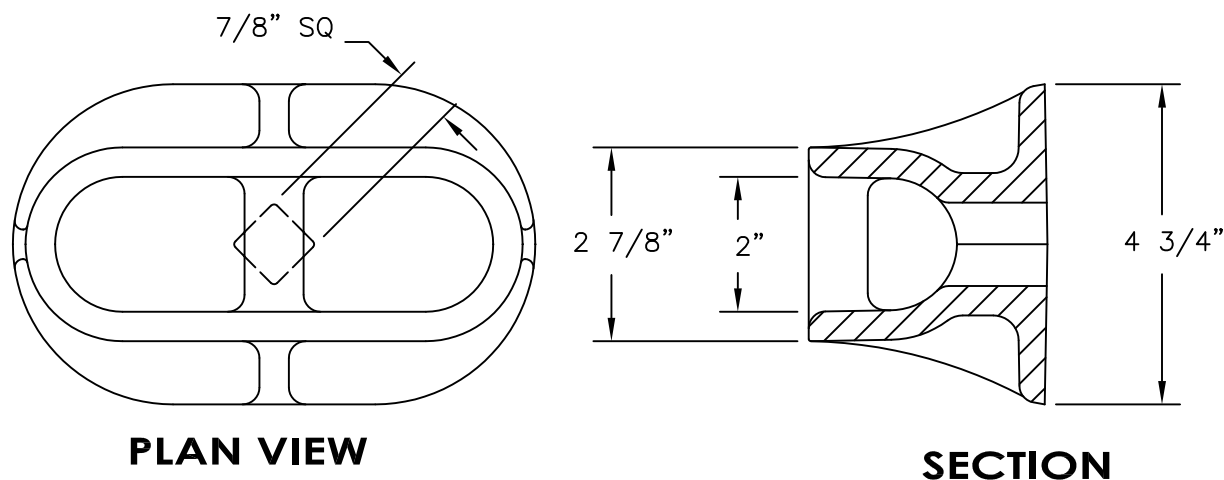
COATING

UNDIPPED

OPEN AREA

N/A

√ DESIGNATES MACHINE SURFACE



Corporate  
Headquarters  
301 Spring Street  
PO Box 439  
East Jordan, MI  
49727-0439  
800.874.4100



Call Today for  
More Information

800.626.4653

**EJIW EAST JORDAN**  
IRON WORKS EST. 1883  
WE COVER YOUR INFRASTRUCTURE

www.ejiw.com  
MADE IN THE USA

- Weights (lbs./kg.) dimensions (inches/mm.), and drawings provided for your guidance.
- We reserve the right to modify specifications without prior notice.
- Uncontrolled distribution.

CONFIDENTIAL: This drawing is the property of East Jordan Iron works, Inc., and embodies confidential information, registered marks, trade secret information, and/or know how that is the property of East Jordan Iron Works, Inc. ©Copyright 2009 East Jordan Iron Works, Inc.

DRAWING DETAILS

ORIGINAL DRAWING: SHM 09/06/05

REVISED BY: DEW 04/20/11