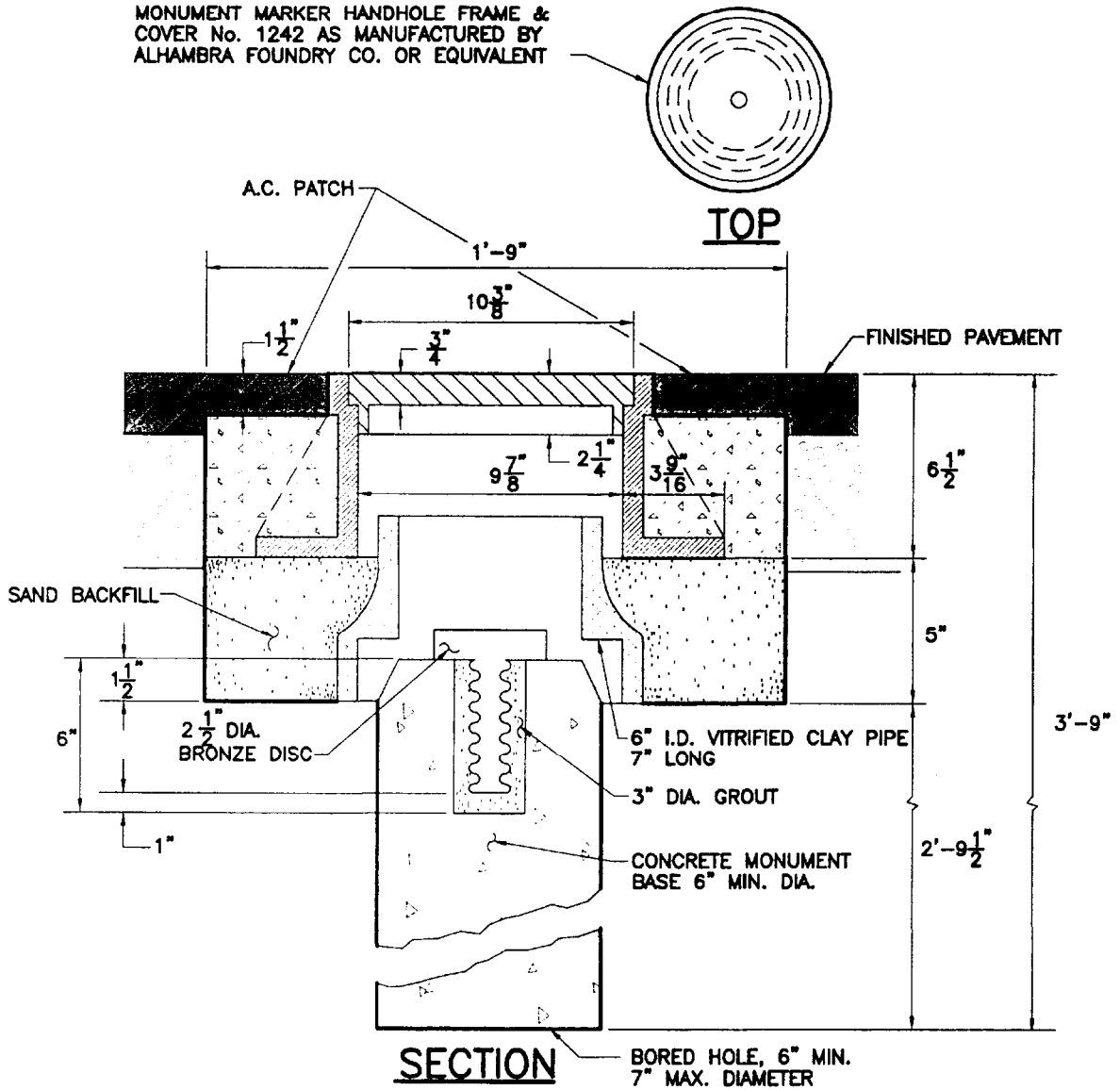


MONUMENT MARKER HANDHOLE FRAME &
COVER No. 1242 AS MANUFACTURED BY
ALHAMBRA FOUNDRY CO. OR EQUIVALENT



NOTES:

1. FRAME AND COVER TO BE ASPHALT TREATED BY FOUNDRY.
2. IF MARKER IS INSTALLED UNDER CONTRACT, LEAVE 3" DIA. HOLE, 6" DEEP IN EXACT CENTER PER TIES.
3. MONUMENT MARKER WILL BE SET BY A PROFESSIONAL REGISTRANT, LICENSED TO PRACTICE SURVEYING IN THE STATE OF CALIFORNIA.
4. ALL CONCRETE SHALL BE 5 1/2 SACK, 3/4" AGGREGATE.



City of
Garden Grove
California

**SURVEY MONUMENT
TYPE "A"**

Approved

Date *11/5/07*

REVISIONS

BY

DATE

STD. PLAN NUMBER

City Engineer

R.C.E. 50353

Exp.06-30-09

B-124