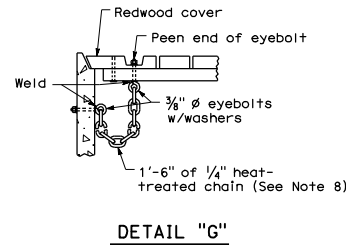
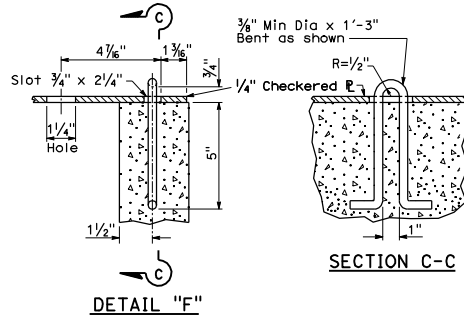
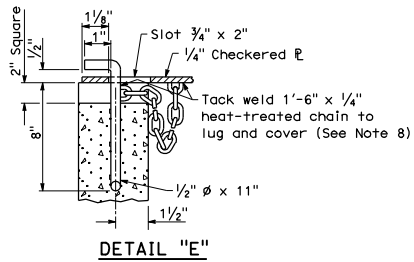


SECTION A-A
TYPE GCP
CONCRETE PIPE INLET WITH GRATE

SECTION B-B
TYPE OCP or OCPI
CONCRETE PIPE INLET WITH STEEL COVER
(See Note 6)

SECTION D-D
TYPE OCP or OCPI
CONCRETE PIPE INLET WITH REDWOOD COVER
(See Notes 6 and 10)



NOTES:

- For details of steel pipe inlets, see Standard Plan D75A.
- For details of ladder and steps and when ladder or steps are required, see Standard Plan D75C.
- Inlet pipes shall not protrude into basin.
- Except for inlets used for junction boxes, basin floors shall have minimum slope of 4:1 from all directions toward outlet pipe, and a wood trowel finish.
- See Revised Standard Plan RSP D77A and Standard Plan D77B for Grate and Frame Details and Weights of Miscellaneous Iron and Steel.
- Designation of Type OCPI pipe inlets on plans indicates trash racks are to be furnished and installed on all side openings. See Standard Plan D75C for Trash Rack details.
- More than one side opening may be required. Location and number as ordered by the Engineer. Opening may be cast in pipe.
- Chain to be provided when specified.
- Place pipe so bars of grate will be parallel with main surface flow.
- Redwood covers shall only be placed at locations designated on the plans.

STATE OF CALIFORNIA
DEPARTMENT OF TRANSPORTATION

CONCRETE PIPE INLETS

NO SCALE

RSP D75B DATED JUNE 6, 2008 SUPERSEDES STANDARD PLAN D75B
DATED MAY 1, 2006 - PAGE 153 OF THE STANDARD PLANS BOOK DATED MAY 2006.

REVISED STANDARD PLAN RSP D75B

DIST	COUNTY	ROUTE	POST MILES TOTAL PROJECT	SHEET NO.	TOTAL SHEETS

Raymond Don Tszto
REGISTERED CIVIL ENGINEER

June 6, 2008
PLANS APPROVAL DATE

Raymond Don Tszto
No. C37332
Exp. 6-30-08
CIVIL
STATE OF CALIFORNIA

The State of California or its officers or agents shall not be responsible for the accuracy or completeness of electronic copies of this plan sheet.

To accompany plans dated _____