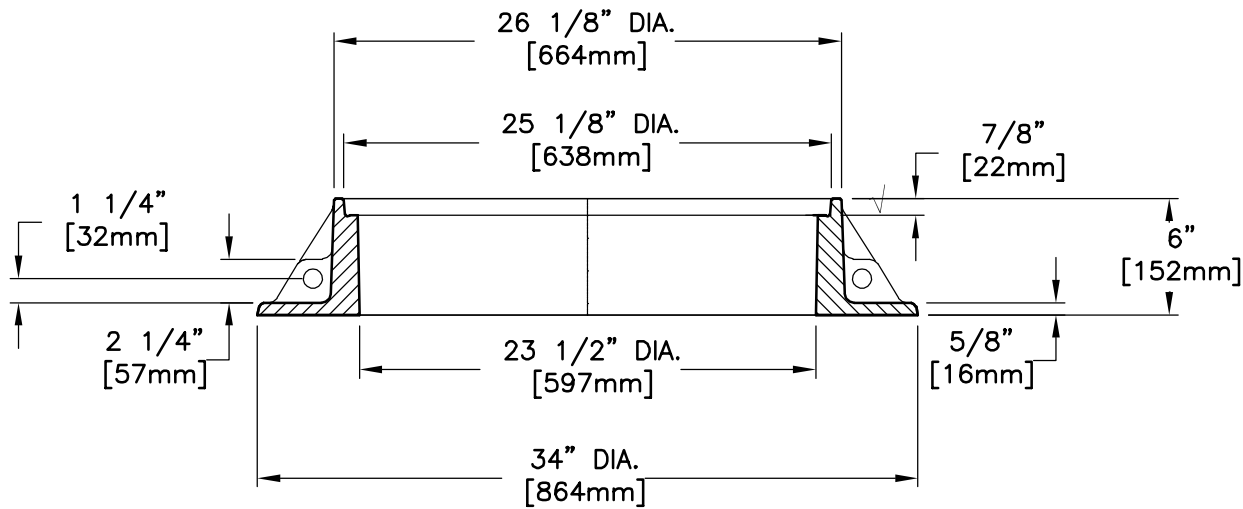


(3) 1" DIA. CORED
GUSSET HOLES EQUALLY
SPACED 120° APART
CORE# 22281111

1/2"
[13mm]

5/8"
[16mm]

PLAN VIEW



SECTION VIEW

EAST JORDAN
IRON WORKS, INC.
P.O. BOX 439
EAST JORDAN, MI. 49727
1-800-874-4100
FAX 231-536-4458

DRAWN TCL	DATE 06/17/04
--------------	------------------

APPROVED	DATE
----------	------

MANHOLE FRAME

(LBIW X108)

PRODUCT NO.

00310810

CATALOG NO.

3108Z

REF. PRODUCT DRAWING

310810

EST. WT.

FRAME: 212 LBS 96kg

OPEN AREA

N/A

MAT'L SPEC.

FRAME - GRAY IRON
ASTM A48 CL35B

LOAD RATING

HEAVY DUTY