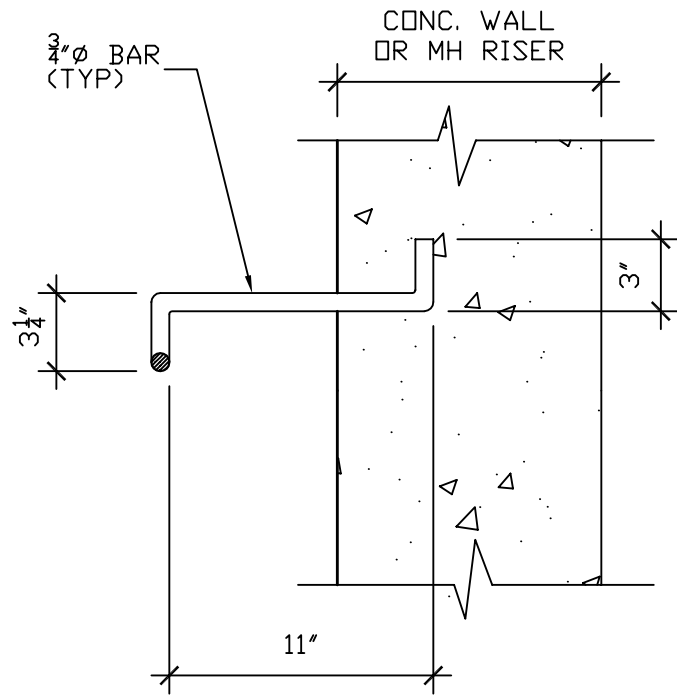
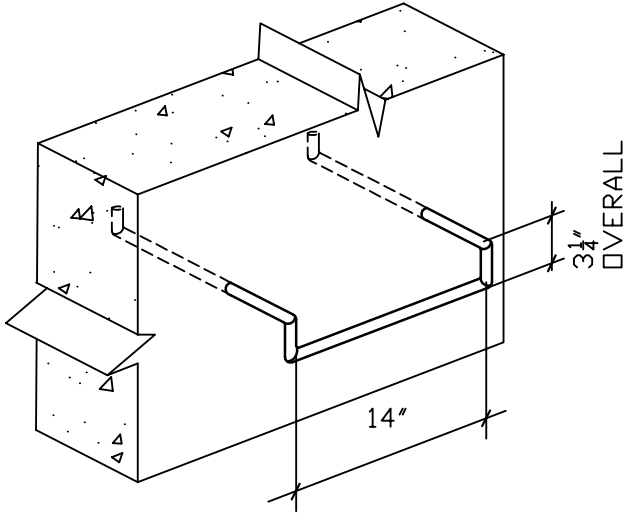


PLAN



SECTION AA



DETAIL

LB 400 SERIES			
CATALOG NUMBER	WIDTH	LEG LENGTH	APPROX. WEIGHT
LB 404C-14	14"	11"	5 1/2 LBS

NOTES :

1. ALL MEASUREMENTS ARE IN INCHES.
2. TYPE 3 MANHOLE STEP (APWA 635-3) FOR CAST IN PLACE INSTALLATION



LBIW Inc.
 2020 WEST 14TH STREET
 LONG BEACH, CA. 90813
 Tel No. : (562) 432.5451
 Fax No. : (562) 435.5929
 www.lbiw.com

PRODUCT NUMBER

LB 404C-14

STEEL STEP INSERT
 FOR CONCRETE
 STRUCTURES

SPECIFICATIONS

MATERIAL : ASTM A36
 ASTM A307

COATING : ASTM A123
 (GALVANIZING)

MADE IN USA

EST. WEIGHT

5 1/2 LBS

STANDARD PLAN REFERENCE

- * APWA 635-3
- * OCEMA 1307

DRAWN

EB

DATE

01-09-09

REVISED

12-01-09

DATE

REFERENCE INFORMATION

LBIW CATALOG
 SECTION 07