

**EAST JORDAN  
IRON WORKS, INC.**  
P.O. BOX 439  
EAST JORDAN, MI. 49727  
1-800-874-4100  
FAX 231-536-4458

DRAWN DEW	DATE 02/12/04
APPROVED	DATE

**MANHOLE ASY**

PRODUCT NO.  
**00318001**

CATALOG NO.  
**3180C  
3180Z**

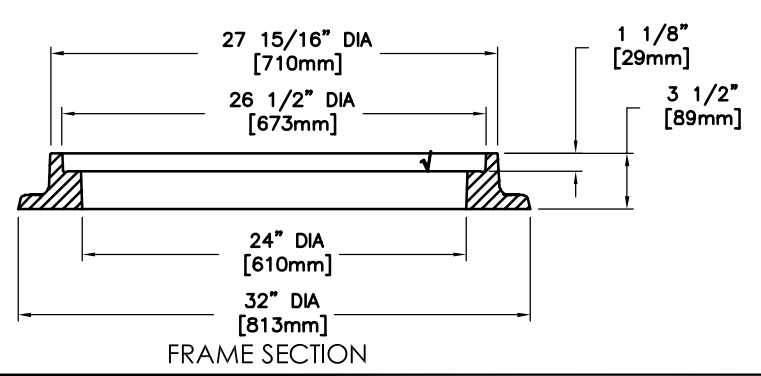
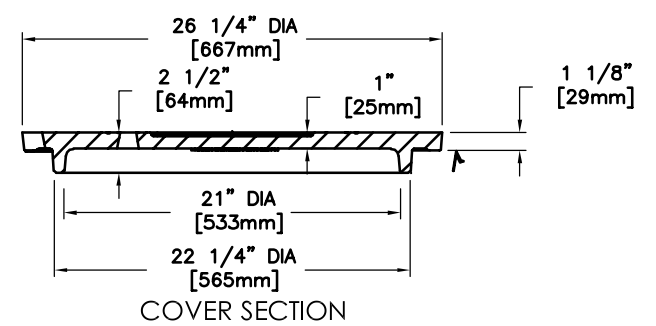
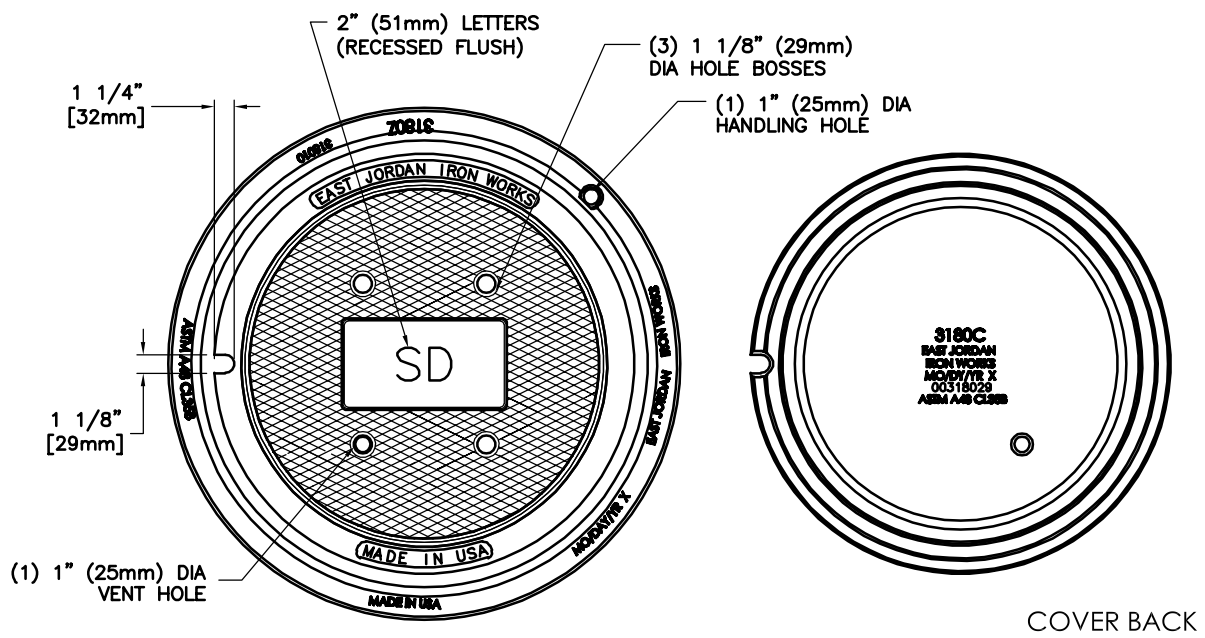
REF. PRODUCT NO.  
**00318029  
00318010**

EST. WT.  
COVER: 150 LBS 68kg  
FRAME: 165 LBS 75kg  
UNIT: 315 LBS 143kg

OPEN AREA  
N/A

MAT'L SPEC.  
COVER - GRAY IRON  
ASTM A48 CL35B  
FRAME - GRAY IRON  
ASTM A48 CL35B

LOAD RATING  
**HEAVY DUTY**



√ MACHINED SURFACE