

Reference:
 American Public Works Association
 APWA Std 630-2
 Manhole Frame and Cover 30 Inch

EAST JORDAN
 IRON WORKS, INC.
 P.O. BOX 439
 EAST JORDAN, MI. 49727
 1-800-874-4100
 FAX 231-536-4458

DRAWN JIJ	DATE 06/12/06
APPROVED	DATE

**MANHOLE
 FRAME
 (LBIW X163)**

PRODUCT NO.

00316310

CATALOG NO.

3163Z

REF. PRODUCT DRAWING

316310

EST. WT.

FRAME: 320 LBS 145kg

OPEN AREA

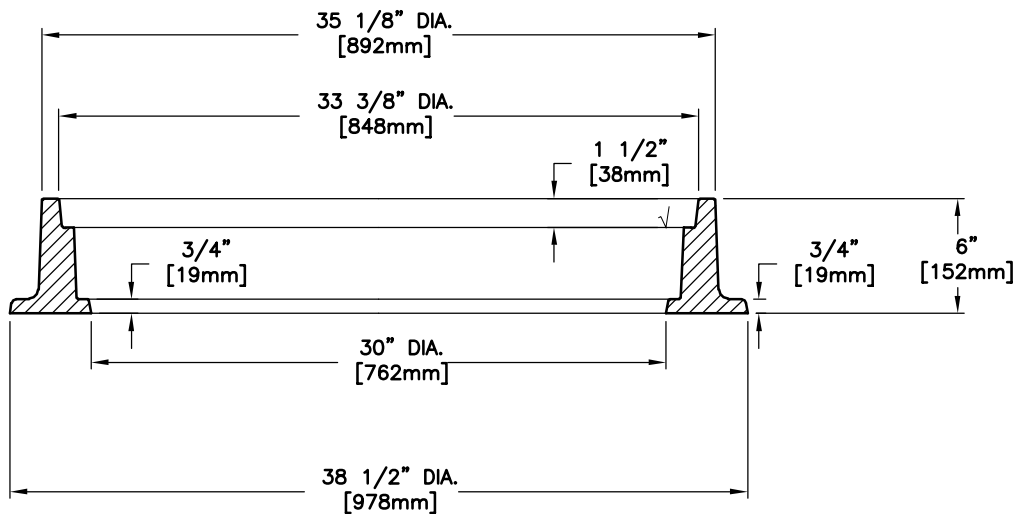
N/A

MAT'L SPEC.

FRAME - GRAY IRON
 ASTM A48 CL35B

LOAD RATING

HEAVY DUTY



√ MACHINED SURFACE