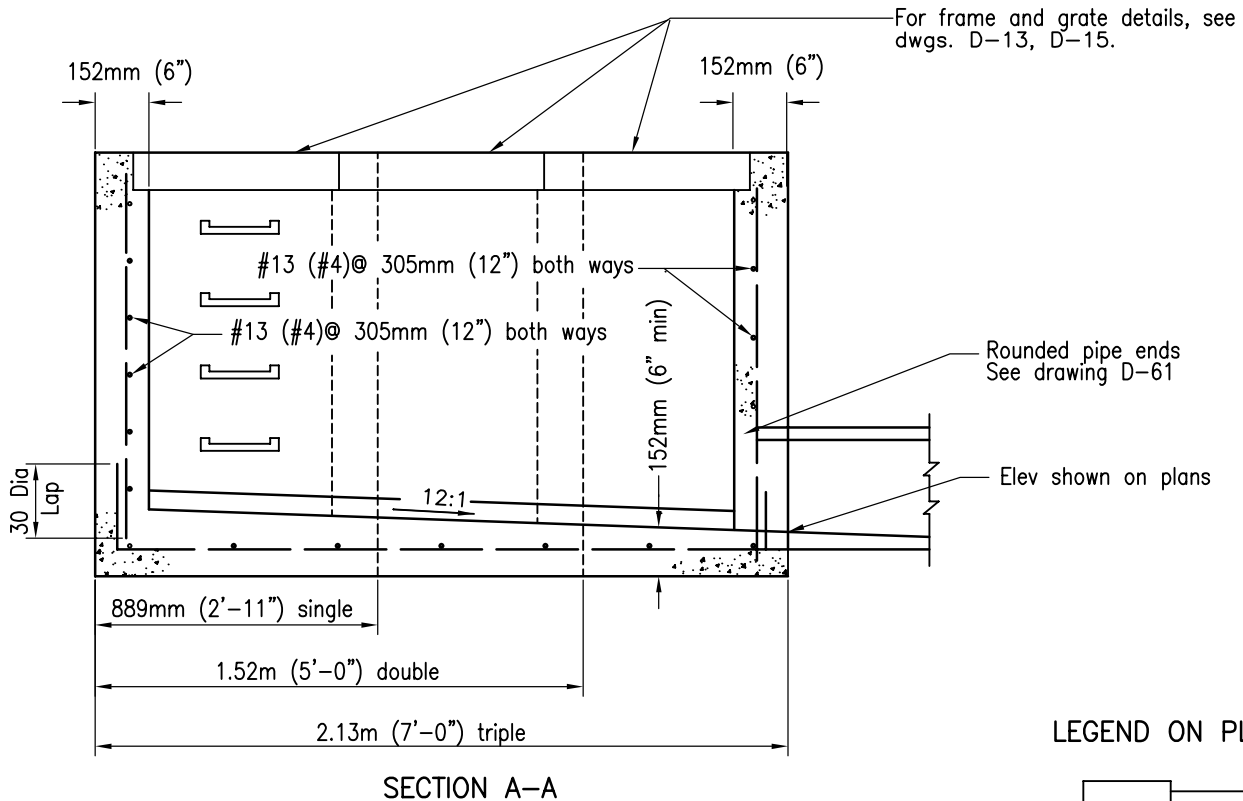


**NOTES**

1. See Standard Drawing D-11 for additional notes and details.
2. When V exceeds 1.22m (4'), steps shall be installed. See Standard Drawing D-11 for details.
3. Maintain 38mm (1-1/2") clear spacing between reinforcing and surface.
4. Increase in allowable depth subject to approval by Agency.
5. Section A-A shows 3 sizes and shall not imply that an interior wall is to be built for the structures with with double or triple frame and grate.
6. Exposed edges of concrete shall be rounded with radius of 13mm (1/2").
7. Designate types as follows: Single G-1, Double G-2 and Triple G-3.
8. Only end bearing grates shall be used. See Std. Drawing D-15.



| Revision    | By | Approved   | Date  |
|-------------|----|------------|-------|
| ORIGINAL    |    | Kercheval  | 12/75 |
| Add Metric  |    | T. Stanton | 03/03 |
| Reformatted |    | T. Stanton | 04/06 |
|             |    |            |       |
|             |    |            |       |

**SAN DIEGO REGIONAL STANDARD DRAWING**

**CATCH BASIN - TYPE G**

RECOMMENDED BY THE SAN DIEGO REGIONAL STANDARDS COMMITTEE

*T. Stanton* 3/01/2003

Chairperson R.C.E. 19246 Date

DRAWING NUMBER **D-8**