

**EAST JORDAN
IRON WORKS, INC.**
P.O. BOX 439
EAST JORDAN, MI. 49727
1-800-874-4100
FAX 231-536-4458

DRAWN SMH	DATE 07/26/00
--------------	------------------

APPROVED	DATE
----------	------

COVER

PRODUCT NO.

418600CAL

CATALOG NO.

V-1860

REF. PRODUCT DRAWING

41860021

EST. WT.

COVER: 80 LBS 36kg

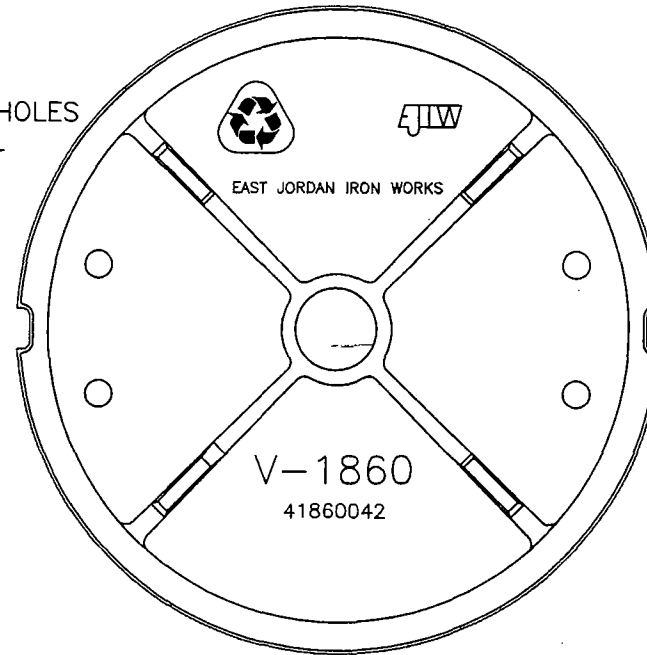
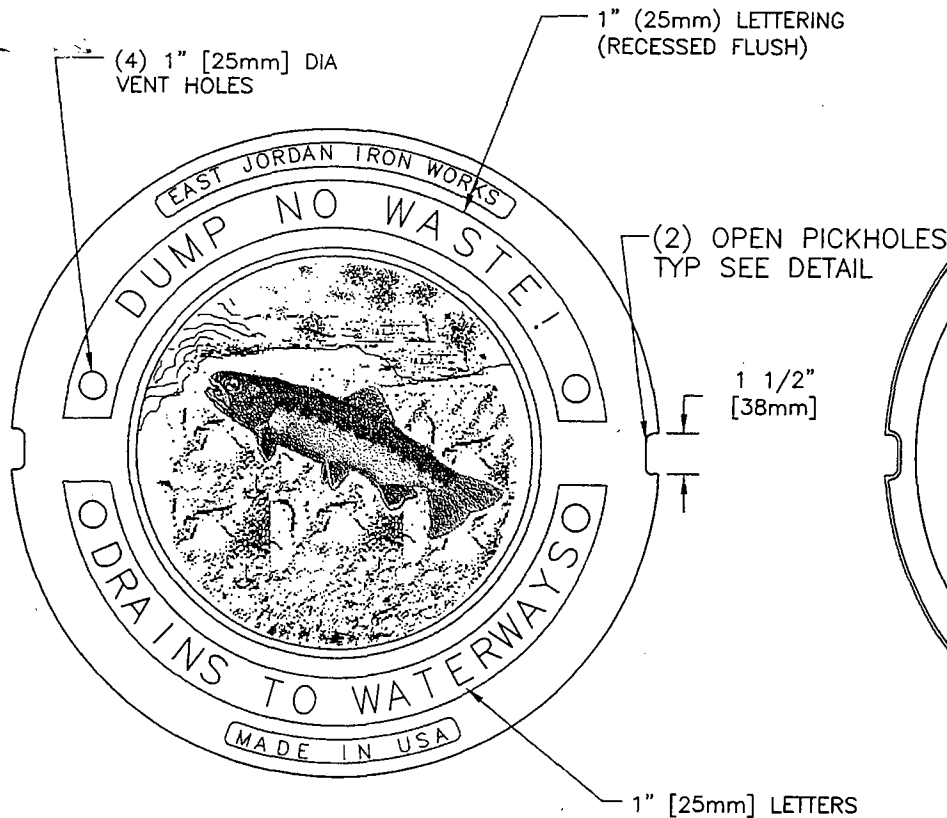
OPEN AREA
N/A

MAT'L SPEC.

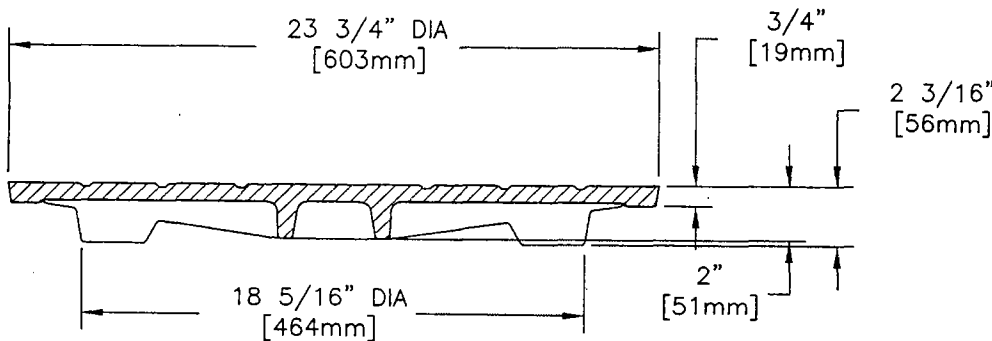
COVER - GRAY IRON
ASTM A48 CL35

LOAD RATING

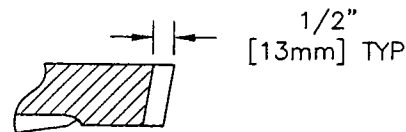
NON TRAFFIC



BOTTOM VIEW



COVER SECTION



OPEN PICKHOLE DETAIL