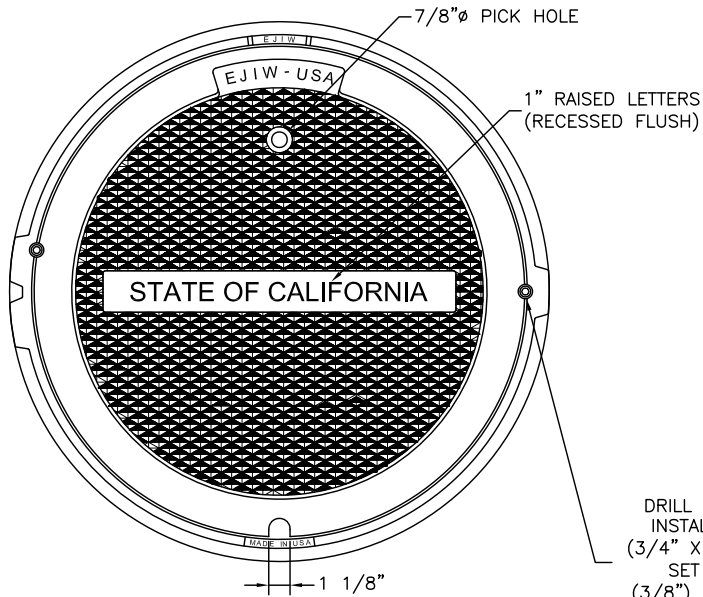
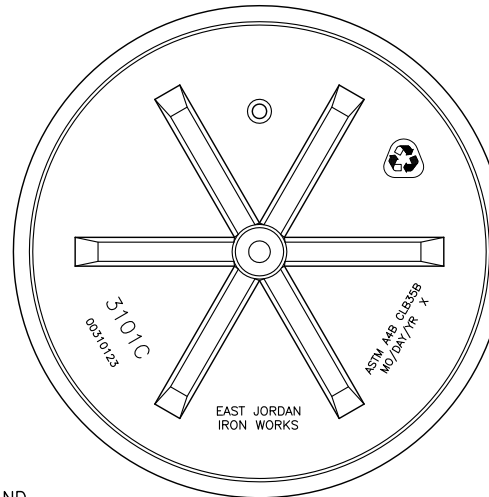


**LB 1534/X-101 ASSEMBLY: STATE OF CALIFORNIA**  
( GALVANIZED COATING)

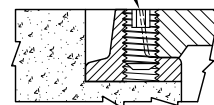


PLAN VIEW

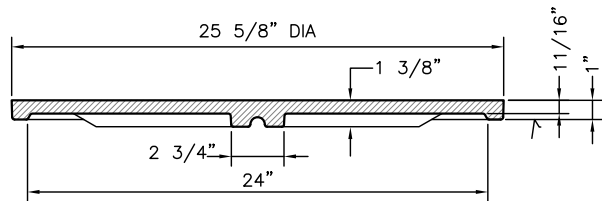


BOTTOM VIEW

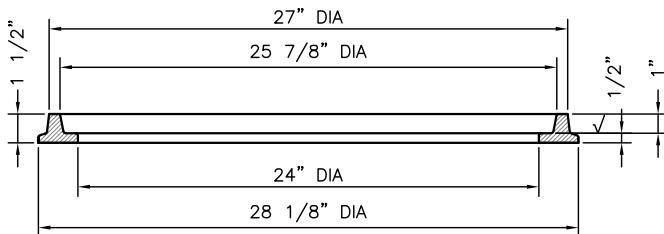
DRILL AND TAP HOLE AND  
INSTALL 20mm X 32mm  
(3/4" X 1 1/4") SS SOCKET  
SET SCREW W/ 10mm  
(3/8") RECESSED HEX HOLE  
ALL THREAD TO BE NC  
\*TWO (2) LOCATIONS



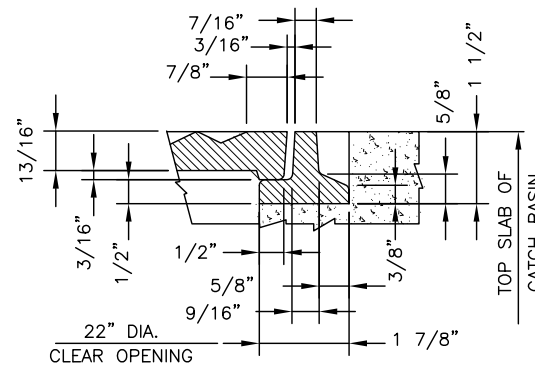
LOCKING DEVICE



COVER SECTION



FRAME SECTION



SEATING DETAIL

DIMENSIONAL TOLERANCES SHALL BE  $\pm 1/8"$   
CASTING SHALL EXCEED PROOFLoad OF 28,600 LBS.

CONFIDENTIAL: This drawing is the property of EJ Group, Inc. and embodies confidential information, trade secret information, and/or know how that is the property of EJ Group, Inc. © Copyright 2012 East Jordan Iron Works, inc.

**EJIW EAST JORDAN**  
IRON WORKS EST. 1883

800-626-4653  
WWW.ejiw.com  
MADE IN USA



**LBIW Inc.**

2020 WEST 14TH STREET  
LONG BEACH, CA. 90813  
Tel No. : (562) 432.5451  
Fax No. : (562) 435.5929

www.lbiw.com

\*STATE OF CALIFORNIA  
DEPARTMENT OF TRANSPORTATION  
\*CATCH BASIN MANHOLE  
FRAME AND COVER

**PRODUCT NUMBER**

LB 1534 / X101  
EJCO 00310101

**ESTIMATED WEIGHTS**

COVER: 105 LBS (48 Kg)  
FRAME: 38 LBS (17 Kg)  
UNIT: 143 LBS (65 Kg)

Weights may vary  
Minus 5%, Plus 10%

**MATERIALS SPECIFICATIONS**

COVER: GRAY IRON  
ASTM A48 CL35B  
FRAME: GRAY IRON  
ASTM A48 CL35B

**COATING**

GALVANIZED COATING  
\*GREENBOOK SPPWC (APWA)  
PARAGRAPH 210-3. "GALVANIZING"  
AASHTO M111/ASTM A123

**DESIGN LOAD RATING**

LIGHT DUTY (NON-TRAFFIC)

✓ DESIGNATES MACHINED  
SURFACE

Drawn:

GRA

Date:

06-16-16

**COMPONENT INFORMATION**

00311024 COVER  
00311012 FRAME