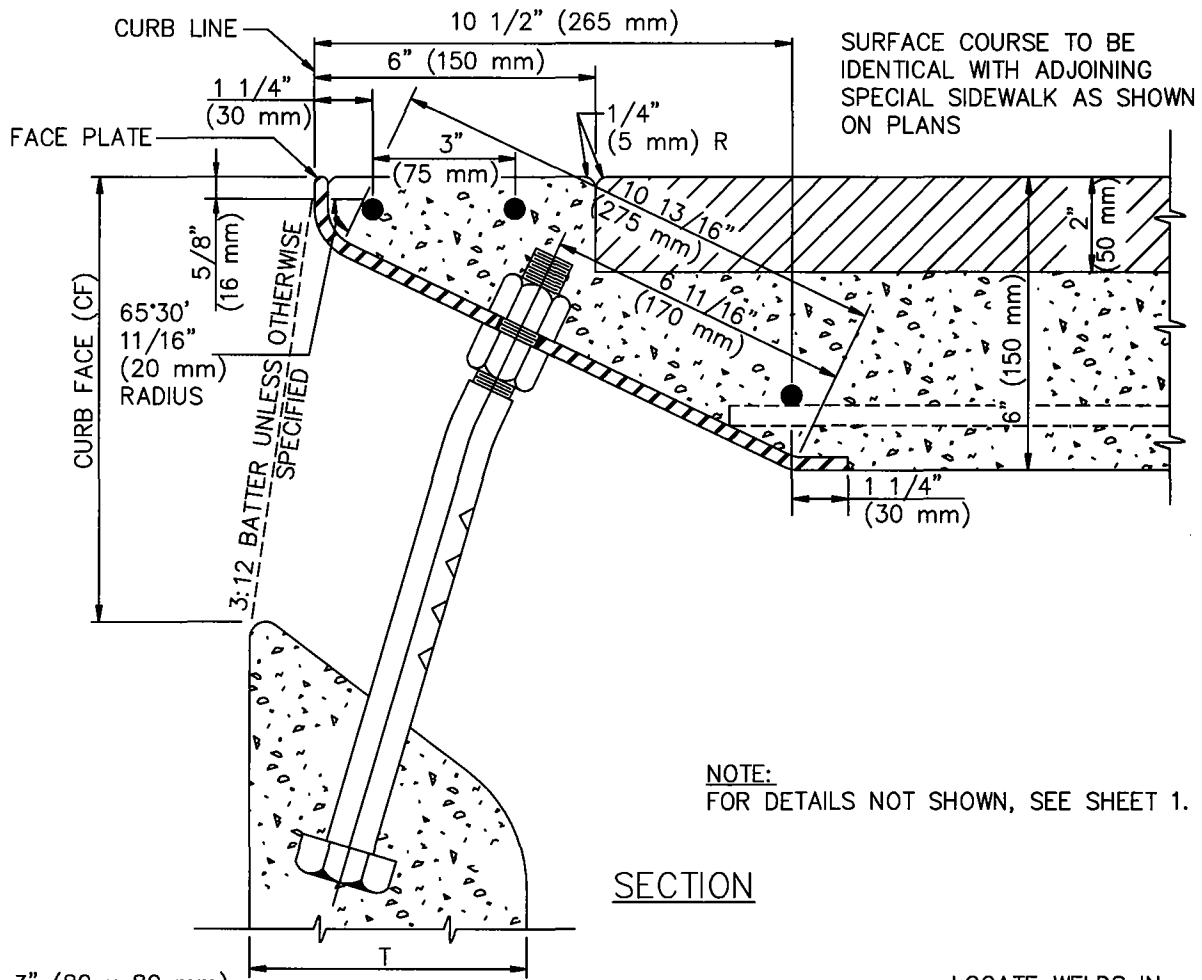
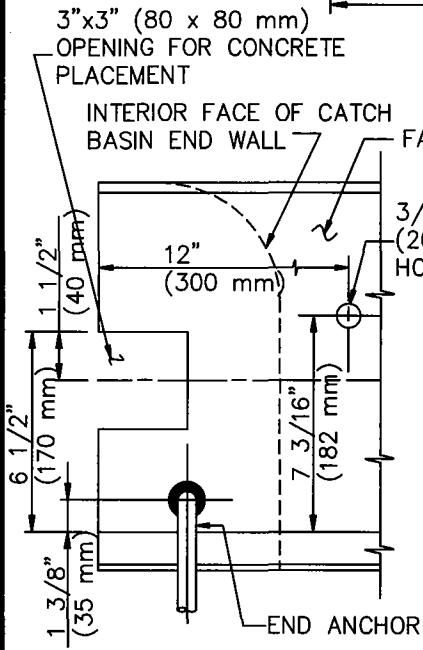


SUPPORT BOLT AND FACE PLATE 150 mm (6") TOP SLAB

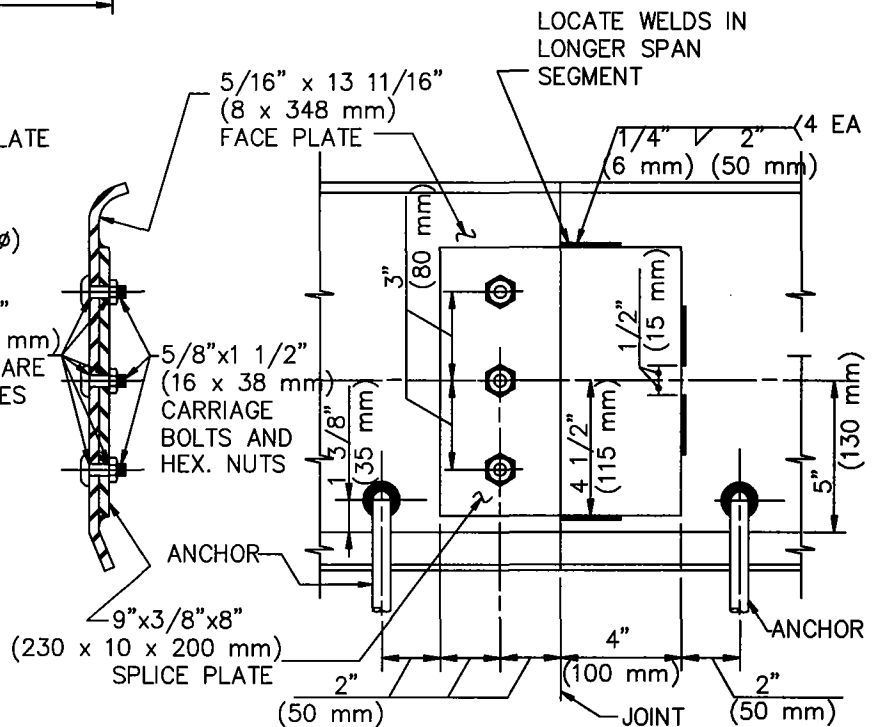


NOTE:
FOR DETAILS NOT SHOWN, SEE SHEET 1.

SECTION



END DETAIL



SPLICE DETAIL

STANDARD PLANS FOR PUBLIC WORKS CONSTRUCTION

STANDARD PLAN

CATCH BASIN FACE PLATE ASSEMBLY AND PROTECTION BAR

310-3

SHEET 2 OF 6