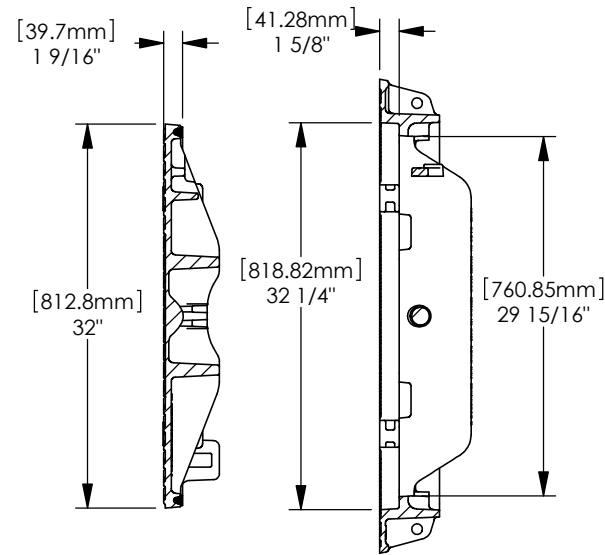
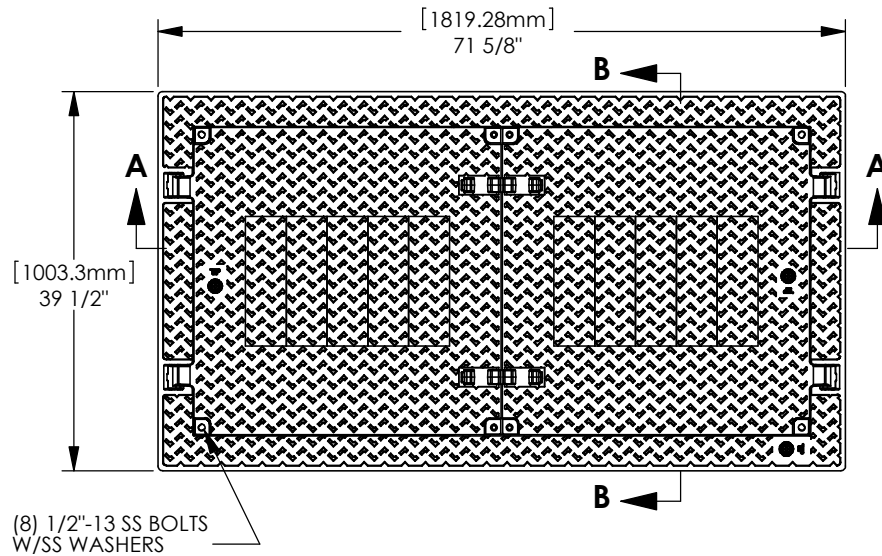
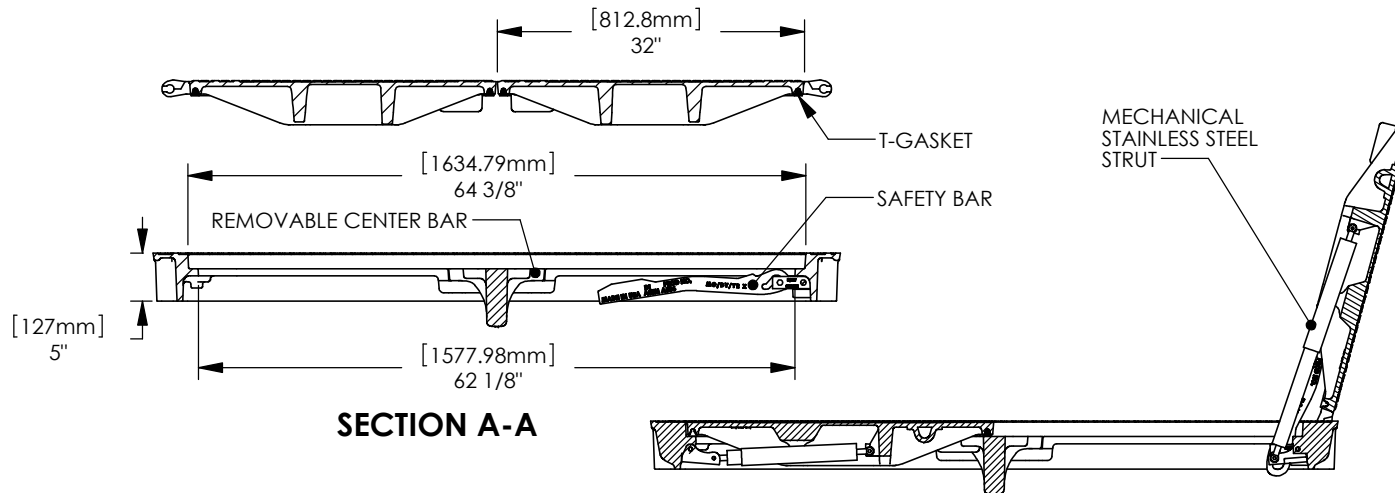


# 8196 Assembly



**SECTION B-B**



**SECTION A-A**

**Product Number**

00819681B03

**Design Features**

- Materials
  - Hatch Frame  
Ductile Iron (70-50-05)
  - Hatch Cover  
Ductile Iron (80-55-06)

- Design Load  
Airport Extra Heavy Duty  
(Proof Load Tested  
to 200,000lbs.)

- Open Area  
n/a

- Coating  
Undipped

- √ Designates Machined Surface

- Slip Resistant Surface  
with the LLLL® registered trademark

**Certification**

- ASTM A536

-

- Country of Origin: USA

**Major Components**

00819613

00819681

**Drawing Revision**

9/29/2010 Designer: DEF

2/8/2012 Revised By: SDC

**Disclaimer**

Weights (lbs/kg), dimensions (inches/mm) and drawings provided for your guidance. We reserve the right to modify specifications without prior notice.

CONFIDENTIAL: This drawing is the property of EJ Group, Inc. and embodies confidential information, registered marks, patents, trade secret information, and/or know-how that is the property of EJ Group, Inc. Copyright © 2011 EJ Group, Inc. All rights reserved.

**Contact**

800.626.4653

ejco.com