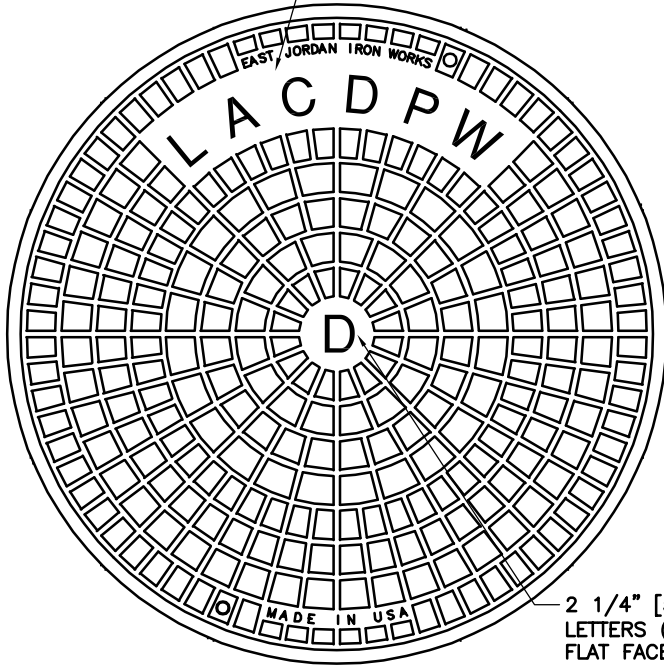
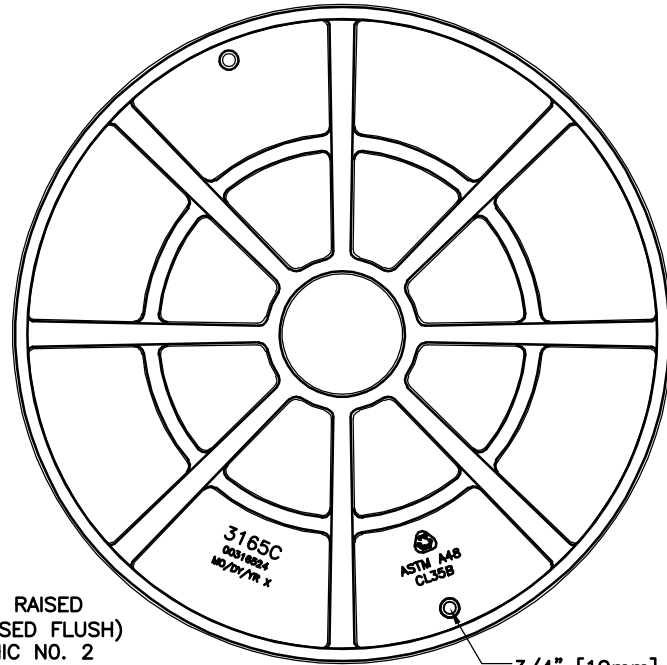


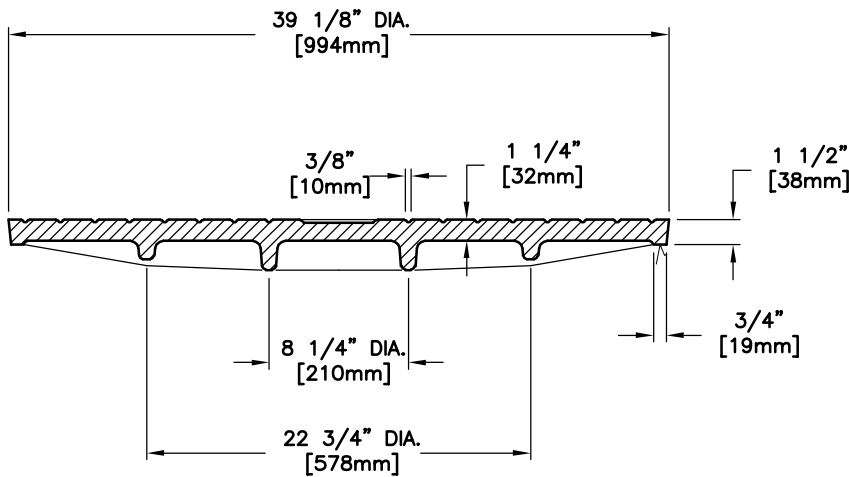
2 1/4" [57mm] RAISED
LETTERS (RECESSED FLUSH)
FLAT FACE GOTHIC NO. 2



2 1/4" [57mm] RAISED
LETTERS (RECESSED FLUSH)
FLAT FACE GOTHIC NO. 2



3/4" [19mm] DIA
HANDLING HOLE



✓ MACHINED SURFACE

EAST JORDAN
IRON WORKS, INC.
P.O. BOX 439
EAST JORDAN, MI. 49727
1-800-874-4100
FAX 231-536-4458

DRAWN DEW	DATE 12/17/02
--------------	------------------

APPROVED	DATE
----------	------

**MANHOLE
COVER**
(LBIW X165)

PRODUCT NO.

00316524

CATALOG NO.

3165C

REF. PRODUCT DRAWING

00316520

EST. WT.

COVER: 440 LBS 200kg

OPEN AREA

N/A

MAT'L SPEC.
COVER - GRAY IRON
ASTM A48 CL35

LOAD RATING

HEAVY DUTY