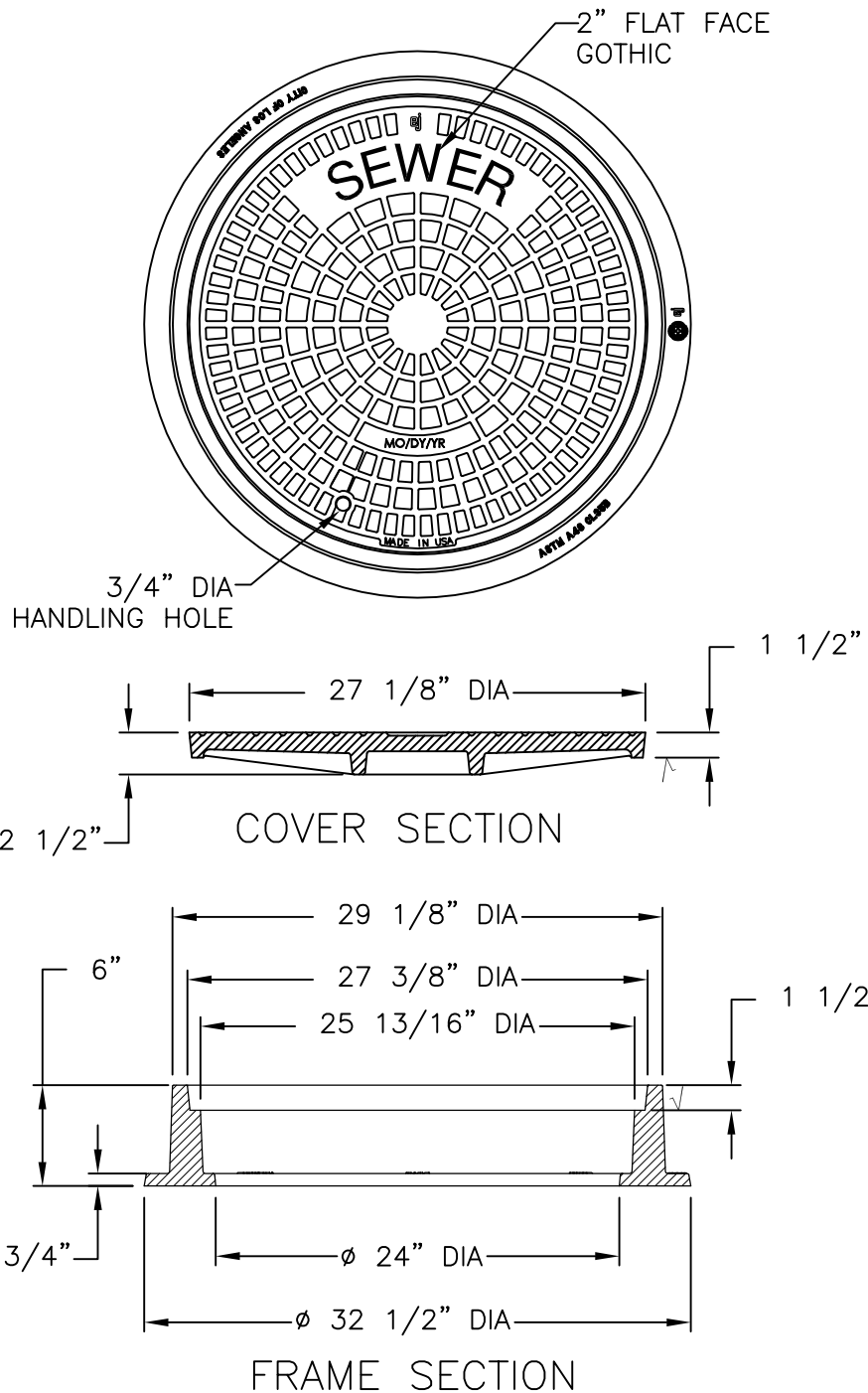


3162Z 3162C Assembly



Product Number

NPR14-4555A

Design Features

-Materials

Frame

Gray Iron (CL35B)

Cover

Ductile Iron (80-55-06)

-Design Load

Heavy Duty

-Open Area

n/a

-Coating

Dipped

-√ Designates Machined Surface

Certification

- ASTM A48

- ASTM A536

- H20

-Country of Origin: USA

Major Components

00316210

003162XX

Drawing Revision

11/10/2014 Designer: MAH

Revised By:

Disclaimer

Weights (lbs./kg) dimensions (inches/mm) and drawings provided for your guidance. We reserve the right to modify specifications without prior notice.

CONFIDENTIAL: This drawing is the property of EJ GROUP, Inc., and embodies confidential information, registered marks, patents, trade secret information, and/or know how that is the property of EJ GROUP, Inc. Copyright © 2012 EJ GROUP, Inc. All rights reserved.

Contact

800 626 4653

ejco.com