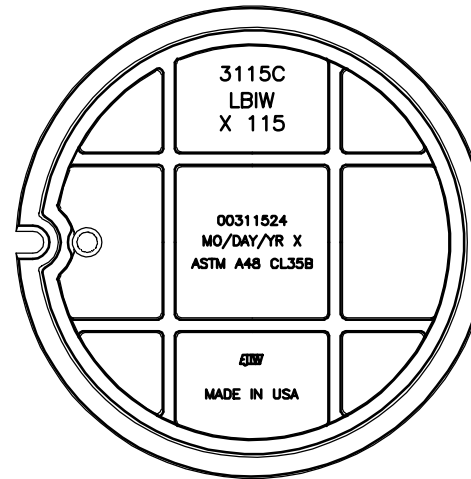
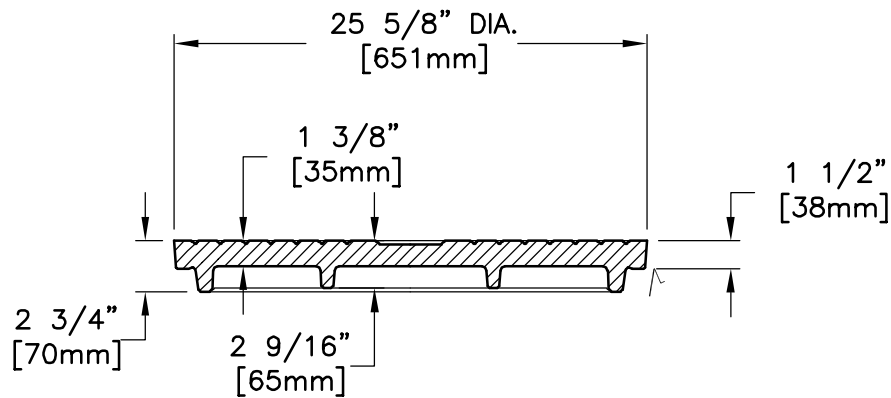


PLAN VIEW



BOTTOM VIEW



SECTION VIEW

√ MACHINED SURFACE

EAST JORDAN  
IRON WORKS, INC.  
P.O. BOX 439  
EAST JORDAN, MI. 49727  
1-800-874-4100  
FAX 231-536-4458

DRAWN DEW	DATE 09/11/03
APPROVED	DATE

**MANHOLE  
COVER  
(LBIW X115)**

PRODUCT NO.  
**00311524**

CATALOG NO.  
**3115C**

REF. PRODUCT DRAWING  
**311522**

EST. WT.  
COVER: 210 LBS 95kg

OPEN AREA  
N/A

MAT'L SPEC.  
FRAME - GRAY IRON  
ASTM A48 CL35

LOAD RATING  
**HEAVY DUTY**